



INSTALLATION INSTRUCTIONS

Accessory

DOOR EDGE GUARDS

Application

2008 RIDGELINE

Publications No.

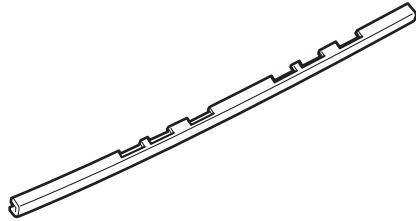
All 36633

Issue Date

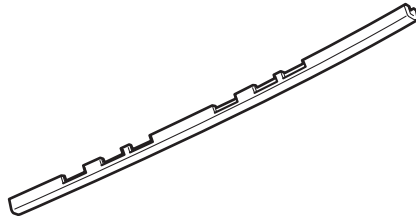
MAY 2007

PARTS LIST

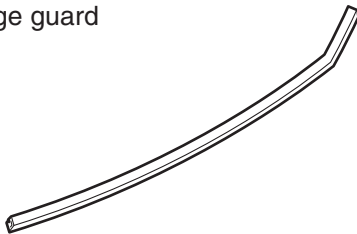
Left door edge guard



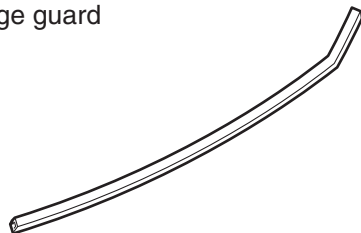
Right door edge guard



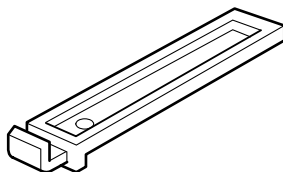
Left rear door edge guard



Right rear door edge guard



Hem sealant cutting tool



TOOLS REQUIRED

Rubber mallet

Felt-tip pen

Touch-up paint

INSTALLATION

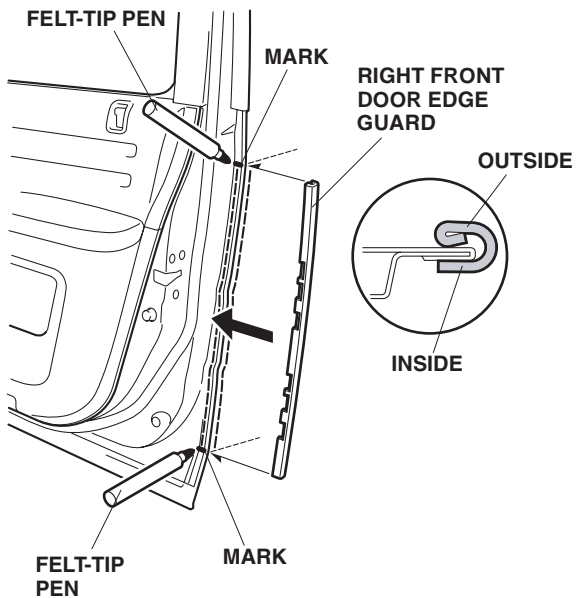
Customer Information: The information in this installation instruction is intended for use only by skilled technicians who have the proper tools, equipment, and training to correctly and safely add equipment to your vehicle. These procedures should not be attempted by "do-it-yourselfers."

NOTE: These instructions show the right door edge guard being installed. The same procedure applies to installing the left door edge guard.

1. Clean and wax the areas to be covered with a high-quality paste wax.
2. Identify each door edge guard by holding it up to the door and matching its contour with the door edge.

Installing the Door Edge Guards

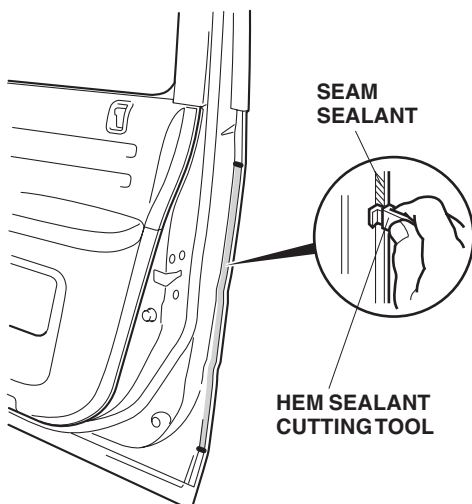
3. Position the right front door edge guard on the right front door while aligning it with the contour of the door. Mark the right front door at the top and bottom end of the right front door edge guard.



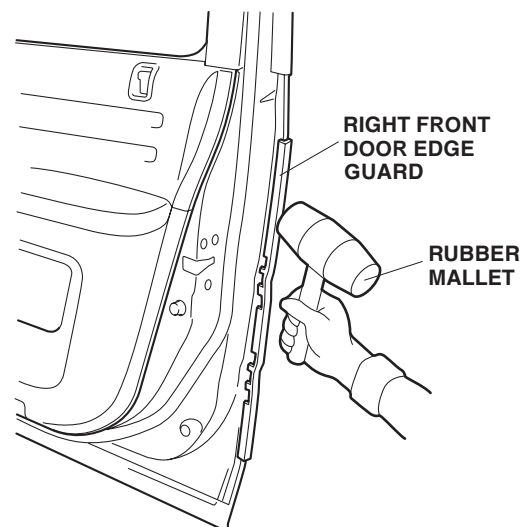
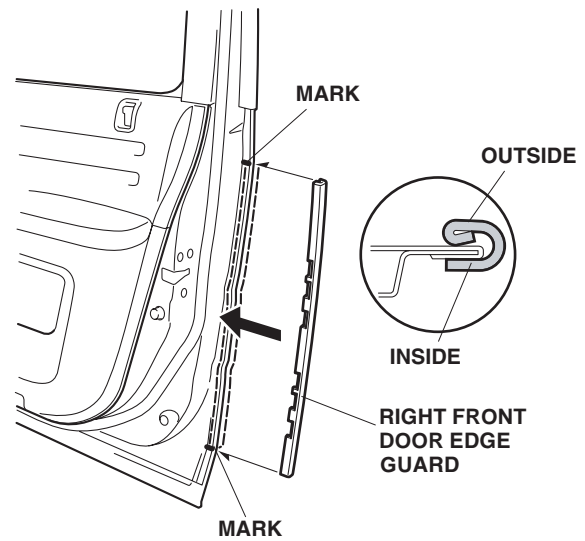
4. Position the hem sealant cutting tool against the door edge, and trim the seam sealant from mark to mark.

NOTE: The cutting tool only cuts in one direction. Move it upward on the right door, and downward on the left door.

5. Apply touch-up paint to the door, and let it dry.



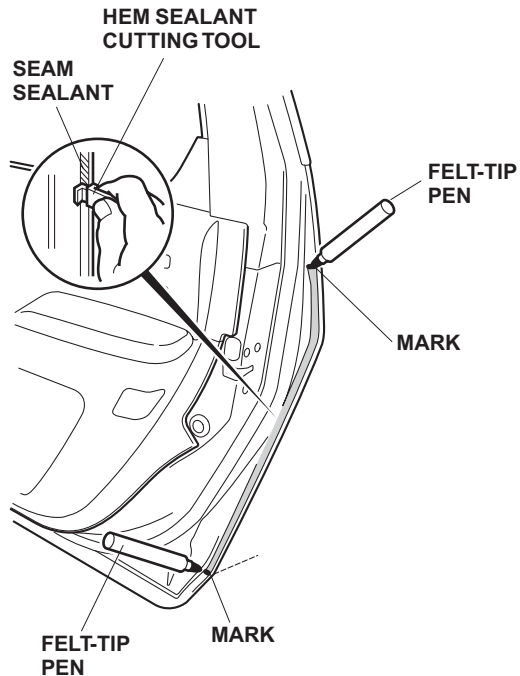
6. Position the right front door edge guard on the door edge, and tap it into position with a series of light taps using a rubber mallet.



7. Repeat steps 3 through 6 to install the left front door edge guard.

Installing the Rear Door Edge Guards

- Position the right rear door edge guard on the right rear door while aligning it with the contour of the door. Mark the right rear door at the top and bottom end of the right rear door edge guard.

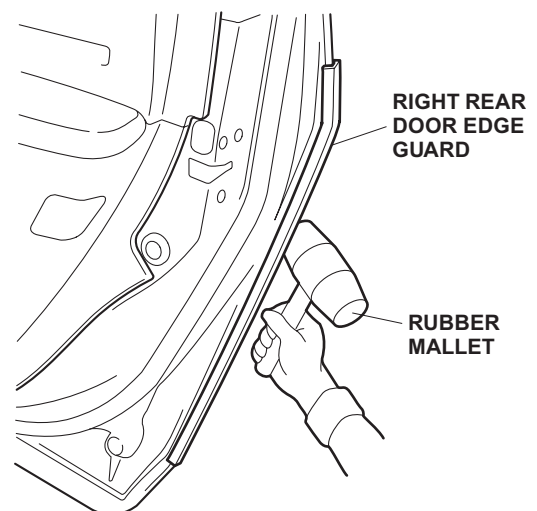
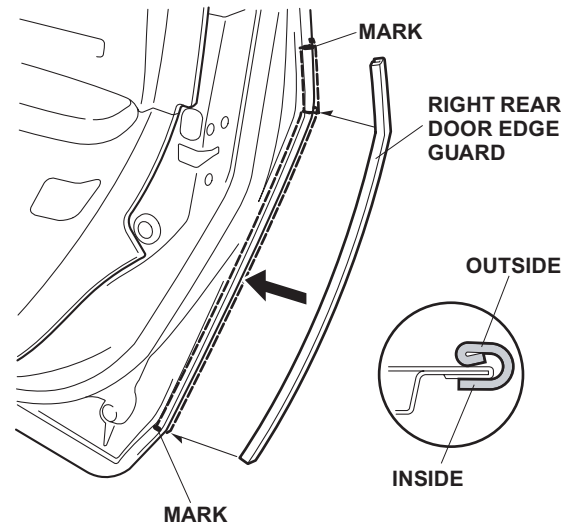


- Position the hem sealant cutting tool against the door edge, and trim the seam sealant from mark to mark.

NOTE: The cutting tool only cuts in one direction. Move it upward on the right door, and downward on the left door.

- Apply touch-up paint to the door, and let it dry.

- Position the right rear door edge guard on the door edge, and tap it into position with a series of light taps using a rubber mallet.



- Repeat steps 8 through 11 to install the left rear door edge guard.