



# INSTALLATION INSTRUCTIONS

Accessory  
**DOOR EDGE GUARDS**  
P/N 08P20-TE0-100

Application  
**2010 ACCORD**  
**2-DOOR**

Publications No.  
**All 42242**

Issue Date  
**AUG 2009**

## PARTS LIST

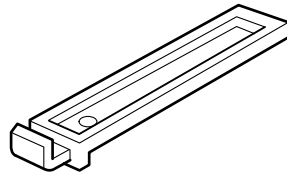
Right door edge guard



Left door edge guard



Seam sealant cutting tool



## TOOLS AND SUPPLIES REQUIRED

Rubber mallet

Felt-tip pen

Touch-up paint

Scale

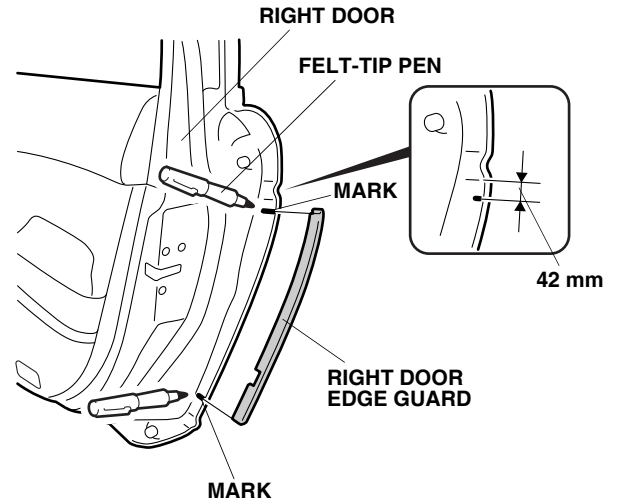
## INSTALLATION

**Customer Information:** The information in this installation instruction is intended for use only by skilled technicians who have the proper tools, equipment, and training to correctly and safely add equipment to your vehicle. These procedures should not be attempted by "do-it-yourselfers."

### NOTE:

- When installing the door edge guard and the body side molding, install the door edge guard before installing the body side molding.
  - These instructions show the right door edge guard being installed. The same procedure applies to installing the left door edge guard.
1. Clean and wax the areas to be covered with a high quality paste wax.
  2. Identify each door edge guard by holding it up to the door and matching its contour with the door edge.

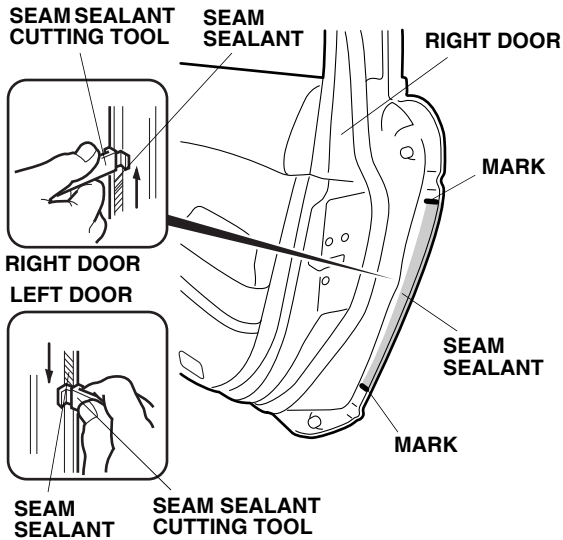
3. Measure and mark the sealant at the measurement shown.
4. Position the right door edge guard on the right door while aligning it with the mark you made step 3. Mark the sealant at the bottom ending point of the edge guard.



5. Position the cutting edge of the seam sealant cutting tool against the door edge and trim the seam sealant from mark to mark.

NOTE: The cutting tool only cuts in one direction. Move it upward on the right and downward on the left side of the vehicle.

6. Apply touch-up paint to the cut seam sealant area and let it dry.



7. Position the right door edge guard on the right door edge, and tap it into position with a series of light taps using a rubber mallet. Be sure the right door edge guard position is correct. Once in place, do not remove, reposition, or reinstall the right door edge guard. It will not hold securely.
8. Repeat steps 3 through 7 to install the left door edge guard.

