



# INSTALLATION INSTRUCTIONS

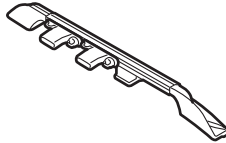
Accessory  
**ROOF RACK**  
 P/N 08L02-SJC-100A  
 P/N 08L02-SJC-100B

Application  
**2012 RIDGELINE**

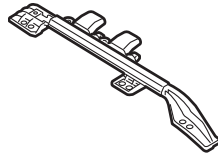
Publications No.  
**All 12033**  
 Issue Date  
**NOV 2011**

## PARTS LIST

Left side rail



Right side rail



2 Crossbars



Left front cover



Right front cover



Left center cover



Right center cover



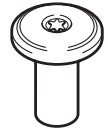
Left rear cover



Right rear cover



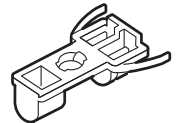
12 T-30 Torx nuts



8 T-25 Torx screws



2 Roof molding clips



## TOOLS AND SUPPLIES REQUIRED

T-30 Torx wrench

T-25 Torx wrench

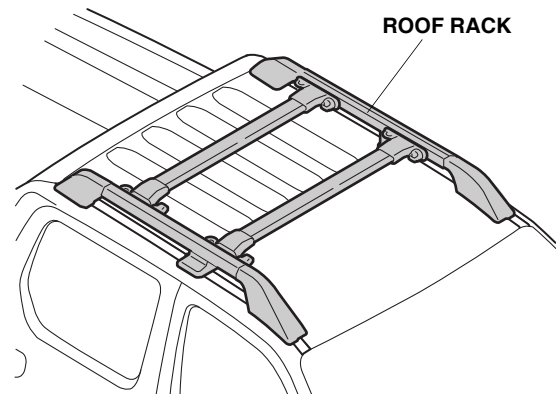
Air saw

Tape measure

Trim removal tool

Long nose pliers

## Illustration of the Roof Rack on the Vehicle

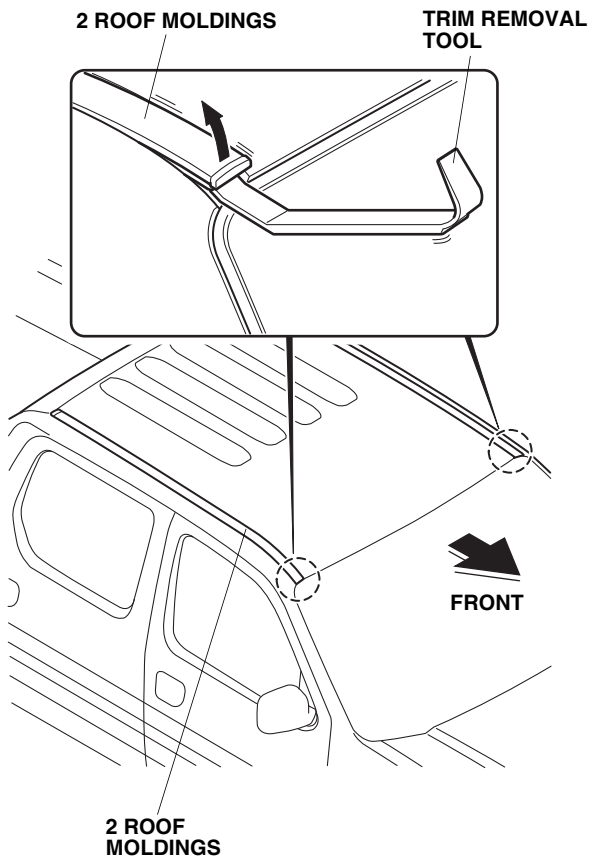


## INSTALLATION

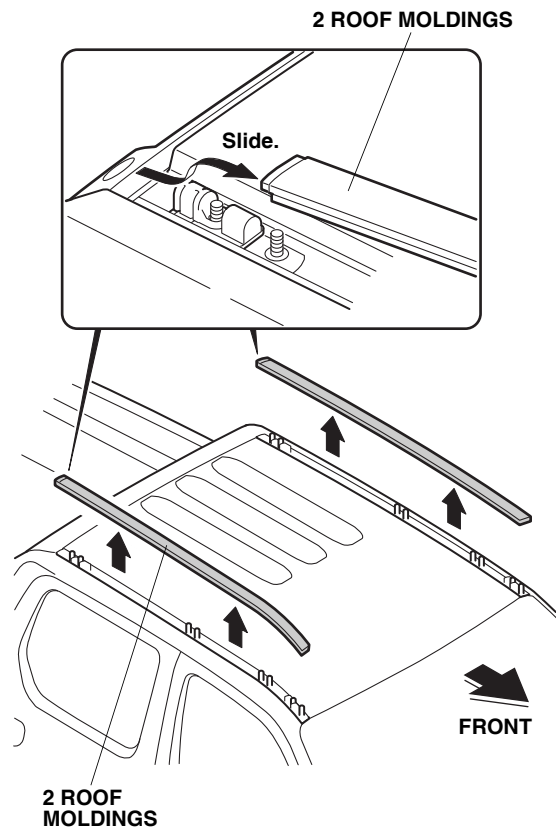
**Customer Information:** The information in this installation instruction is intended for use only by skilled technicians who have the proper tools, equipment, and training to correctly and safely add equipment to your vehicle. These procedures should not be attempted by “do-it-yourselfers.”

### NOTE:

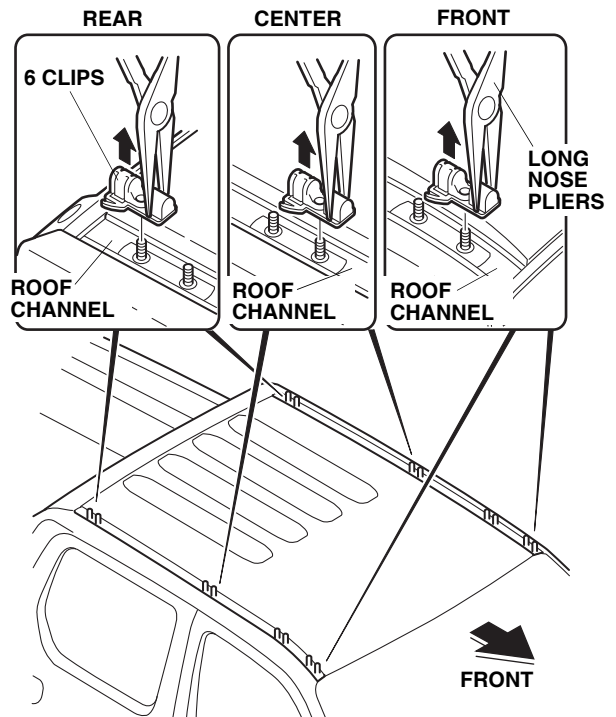
- Do not damage the paint finish.
  - The weight of the cargo must not exceed the maximum weight capacity of 50 kg (110 lbs).
  - Wipe the vehicle roof moldings clean before installing the roof rack.
1. Using a trim removal tool, pry up on the front end of each roof molding.



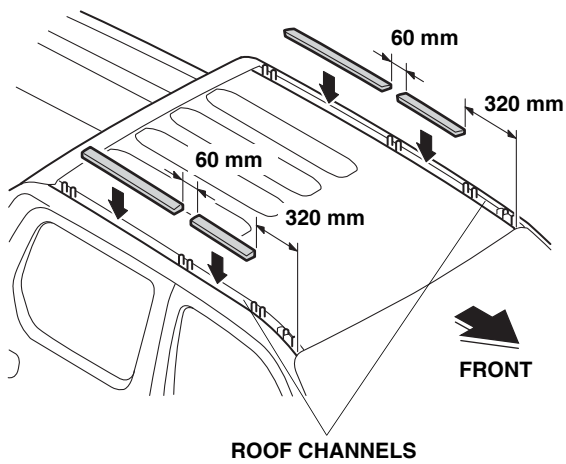
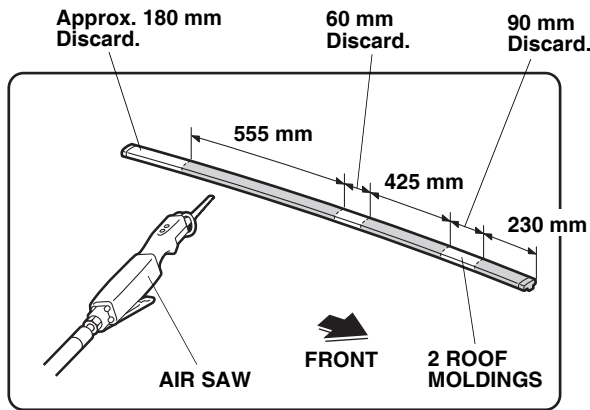
2. Slide and remove the two roof moldings from the vehicle.



3. Using long nose pliers, remove the six clips from the roof channels. Discard the clips.

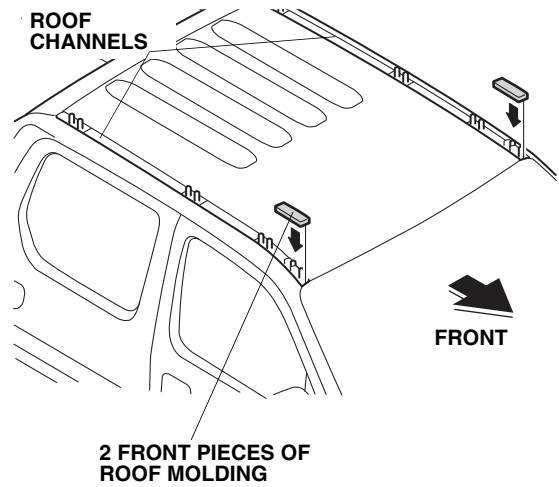
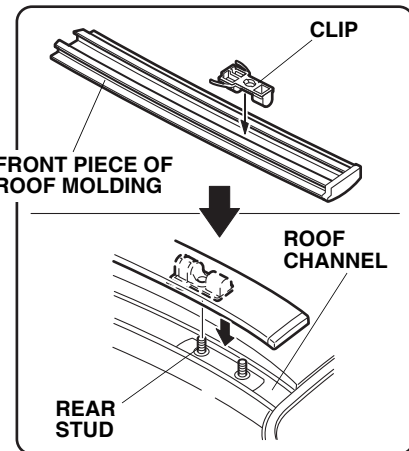


- Measure and mark the roof moldings. Using an air saw, cut each roof molding as shown.



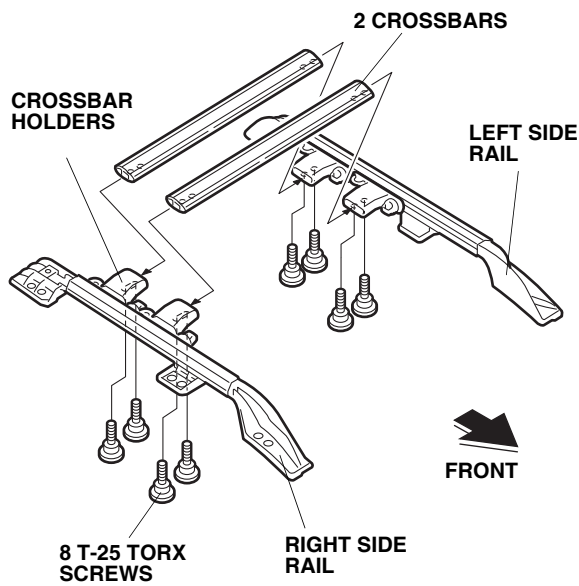
- Reinstall the center and rear pieces of the roof molding to the roof channels.

- Install two roof molding clips to the front pieces of the roof molding cut in step 4.

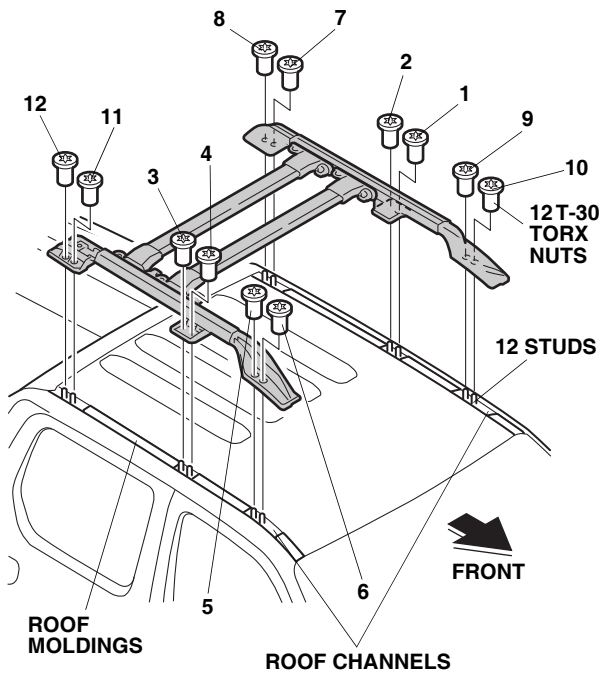


- Reinstall the front pieces of the roof molding to the roof channels.

8. Install the crossbars to the crossbar holders on the left and right side rails with eight T-25 Torx screws.

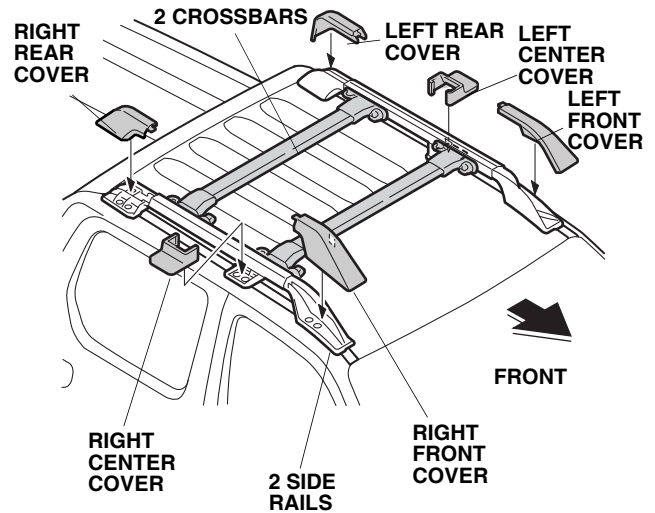
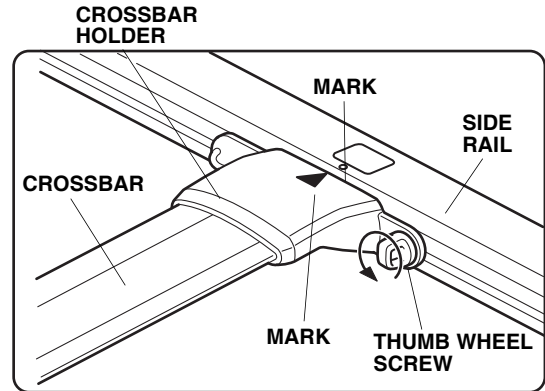


9. Align the holes in the left and right side rails with the 12 studs in the roof channel. Adjust the position of the roof moldings installed in step 5 if necessary.



10. Install the roof rack to the roof channel with 12 T-30 Torx nuts. Torque the Torx nuts in the order shown to 10 N·m (7.4 lbf·ft).

11. Install the six covers to the side rails.



12. Loosen four thumb wheel screws on the crossbar holders. Align the marks on the crossbar holders with the marks on the side rails. Securely tighten the thumb wheel screws.

#### USE AND CARE

- Check the roof rack mounting bolts frequently, and re-tighten if necessary.
- Distribute the weight of the cargo evenly, and do not exceed the maximum weight capacity of 50 kg (110 lbs).
- To reduce wind noise while driving, make sure the cut roof moldings are properly installed on the roof channel.