



INSTALLATION INSTRUCTIONS

Accessory
REAR UNDER SPOILERS

Application
**2013 CIVIC
2-DOOR (Si)**

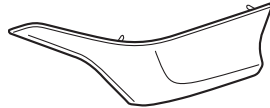
Publications No.
All 13067
Issue Date
DEC 2012

PARTS LIST

Left rear under spoiler



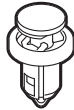
Right rear under spoiler



4 Female clips



2 Bumper clips



2 Washers



TOOLS AND SUPPLIES REQUIRED

Phillips screwdriver

Flat-tip screwdriver

5 mm Hex wrench

Pushpin

Drill

3 mm, 10 mm, and 12 mm Drill bits

Deburring tool (T/N DEBUR300)

Masking tape

Diagonal cutters

Eye protection (face shield, safety goggles, etc.)

Isopropyl alcohol

Shop towel

Blanket

Ruler

Rubber Roller (T/N MHLE540)

Tape

INSTALLATION

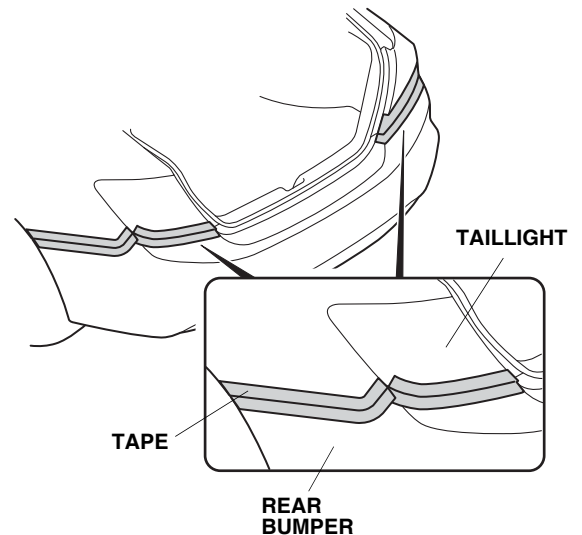
Customer Information: The information in this installation instruction is intended for use only by skilled technicians who have the proper tools, equipment, and training to correctly and safely add equipment to your vehicle. These procedures should not be attempted by "do-it-yourselfers."

NOTE:

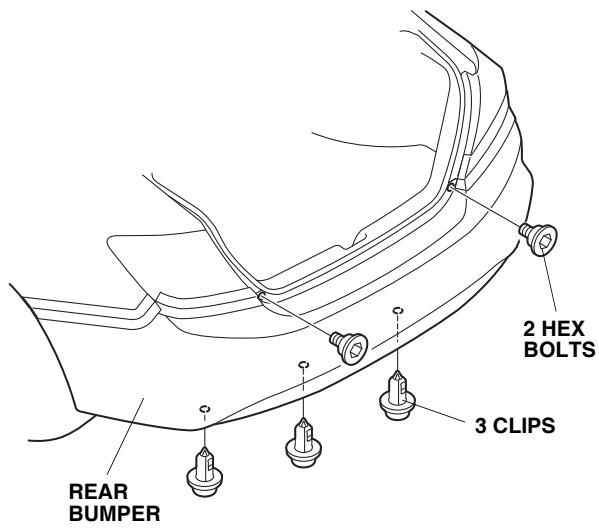
- Be careful not to damage the body paint finish.
- This rear under spoilers kit should be installed only if the ambient air temperature is 15°C (60°F) or above.
- To allow the adhesive to cure, do not wash the vehicle for 24 hours. Please advise the customer.

1. Remove the rear bumper:

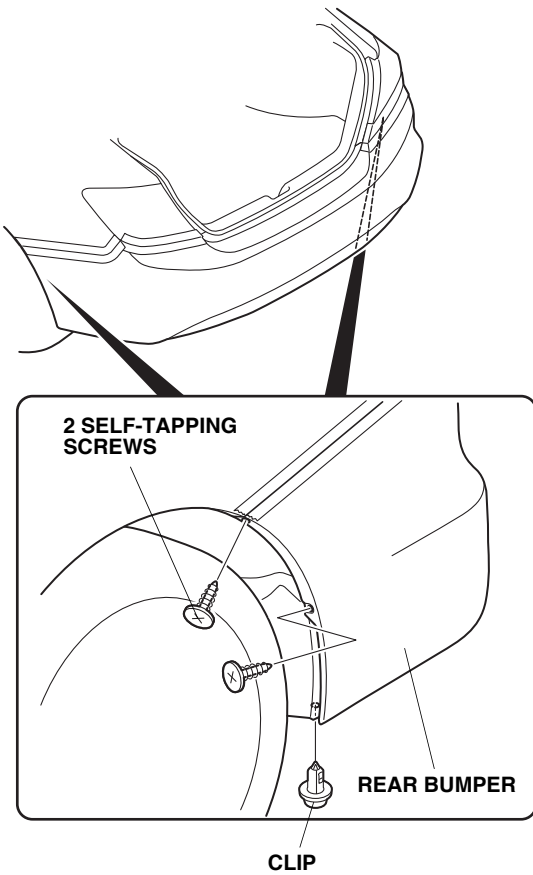
- On each side, attach tape to the areas shown.



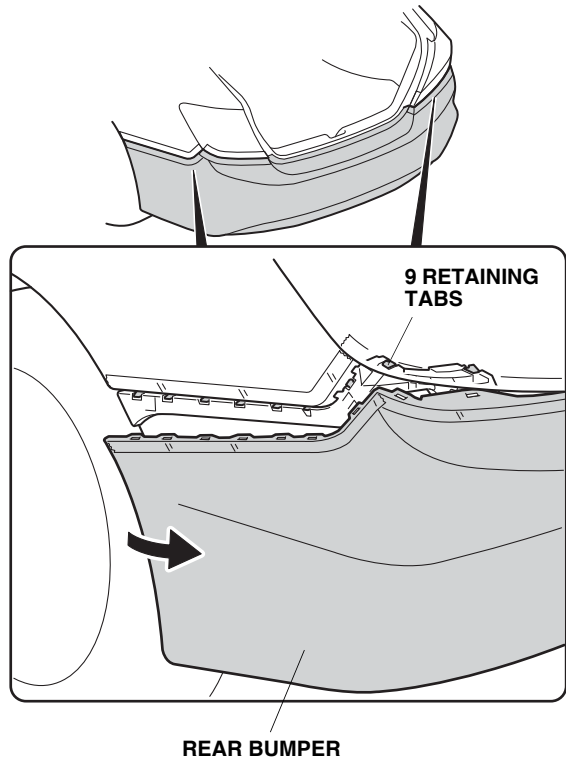
- Remove two hex bolts and three clips.



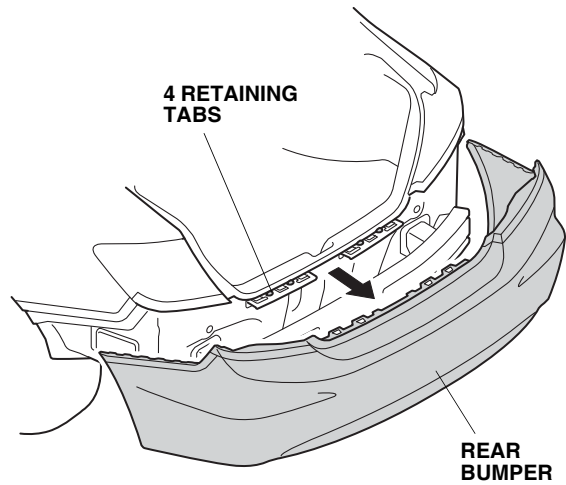
- Remove two self-tapping screws and one clip on each side.



- Release nine retaining tabs on each side.

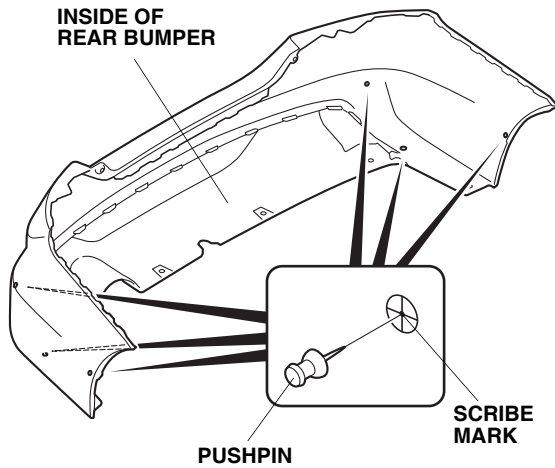


- With the help of an assistant, remove the rear bumper (four retaining tabs). Set the rear bumper on a blanket to prevent damage.

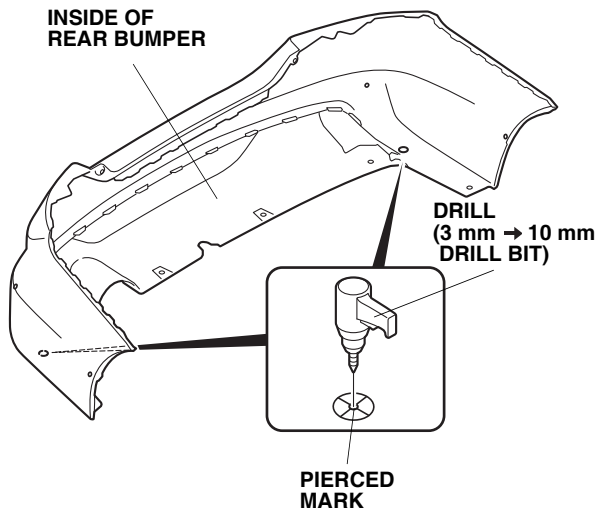


Installing the Rear Under Spoilers

- Using a pushpin, pierce the centers of the six scribe marks on the rear bumper.

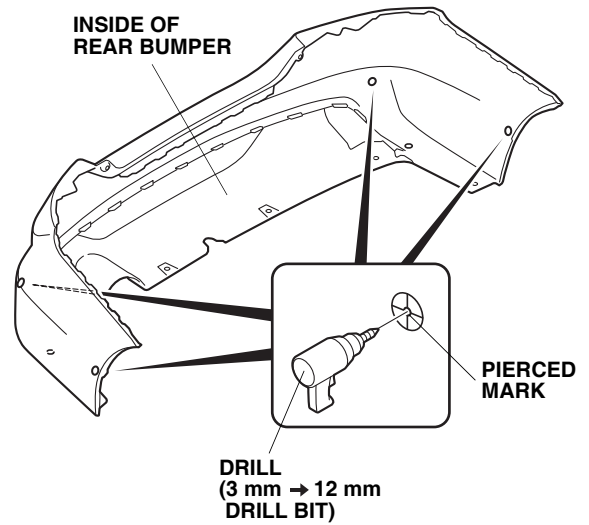


- While wearing eye protection, drill the two lower pierced marks with a 3 mm drill bit, then enlarge the holes with a 10 mm drill bit.

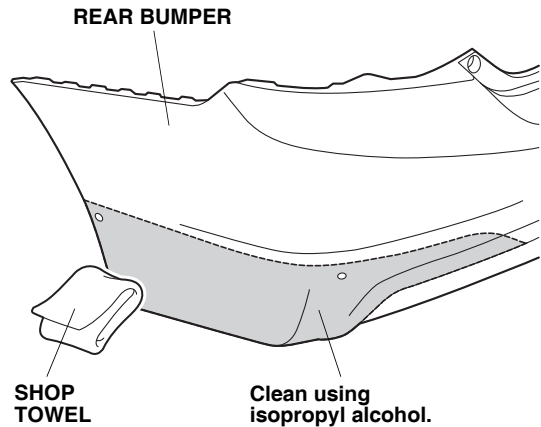


- Use a deburring tool to remove any burrs from the holes.

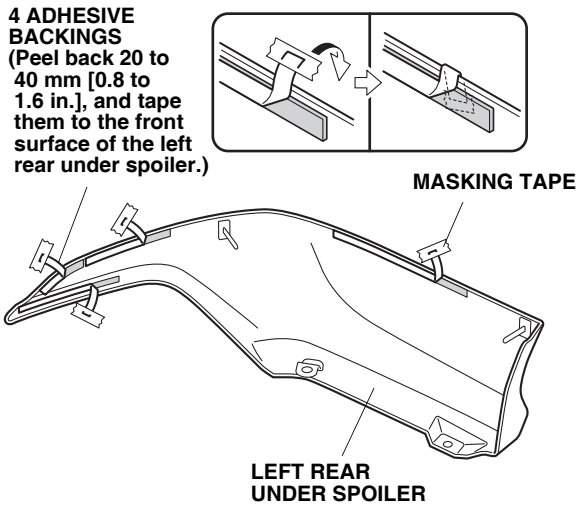
- While wearing eye protection, drill the four upper pierced marks with a 3 mm drill bit, then enlarge the holes with a 12 mm drill bit.



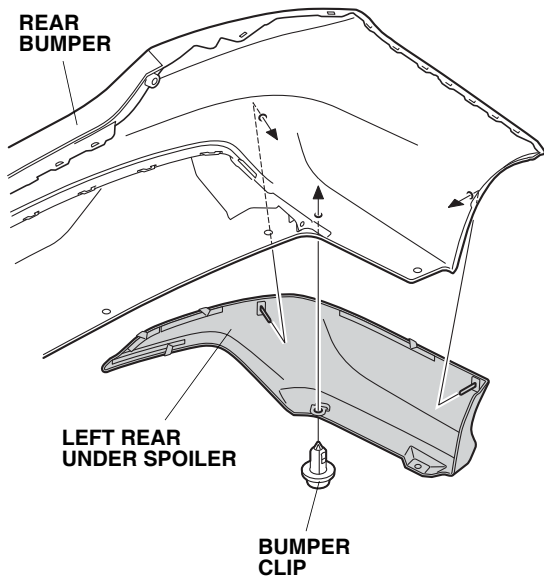
- Use a deburring tool to remove any burrs from the holes.
- Using isopropyl alcohol on a shop towel, thoroughly clean the area where the left rear under spoiler will attach.



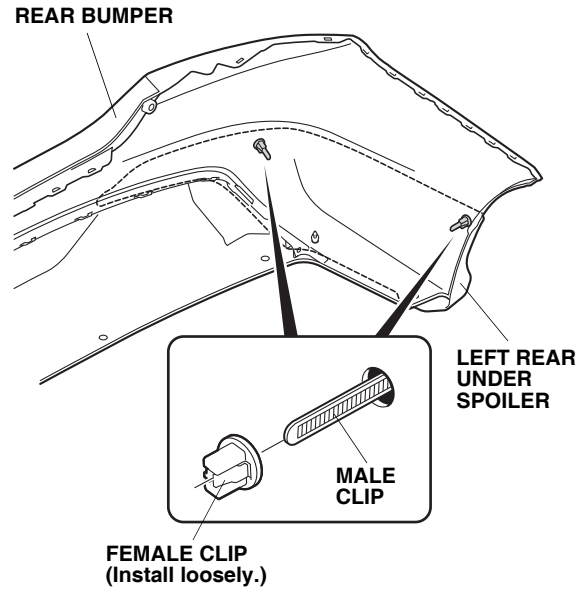
8. Peel back about 20 to 40 mm (0.8 to 1.6 in.) of adhesive backing from each adhesive strip, and tape the ends to the front surface of the left rear under spoiler.



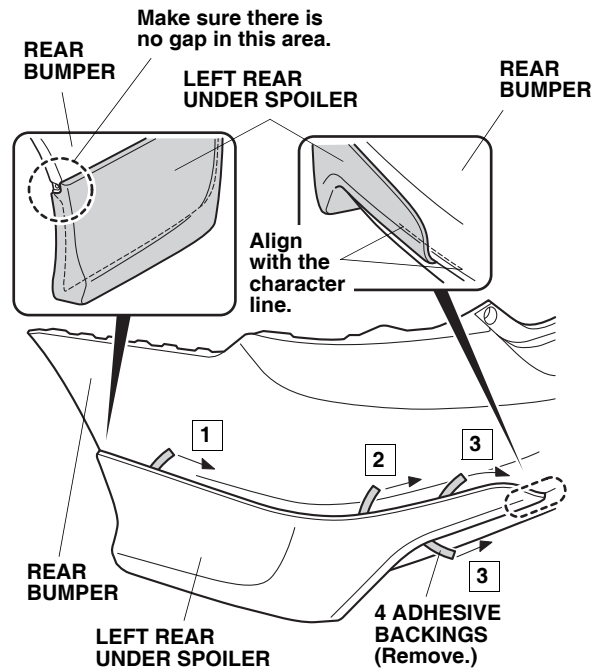
9. Install the left rear under spoiler with one bumper clip.



10. Loosely install a female clip on each male clip.



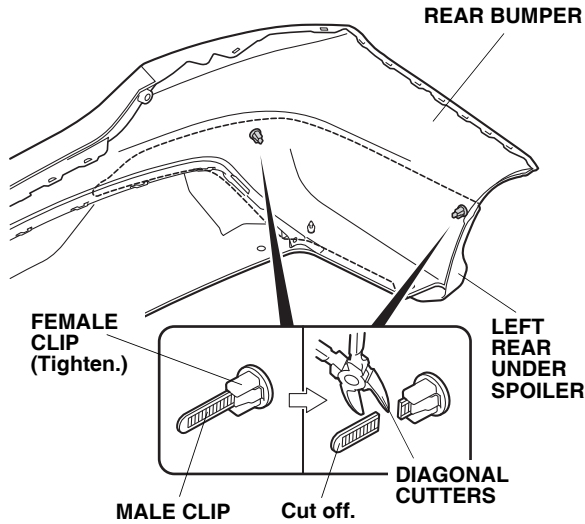
11. Align the left rear under spoiler to the rear bumper as shown. Make sure there are no gaps.



12. Remove the four adhesive backings in the order shown. Press the left rear under spoiler firmly against the rear bumper with the palms of your hands to set the adhesive.

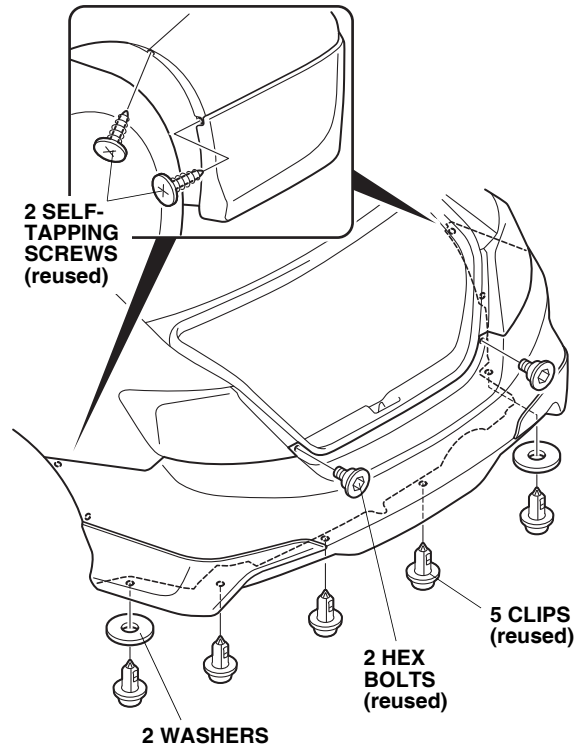
- Tighten the two female clips loosely installed in step 10.

NOTE: Do not install the female clips too tightly, as that may deform the left rear under spoiler. Readjust the female clips, if necessary.



- Using diagonal cutters, cut the excess off of each male clip.
- Repeat steps 7 through 14 to install the right rear under spoiler.

- With the help of an assistant, install the rear bumper with two hex bolts, two washers, five clips, and four self-tapping screws.



- Using a rubber roller, apply firm pressure, especially at the ends, to set the adhesive.

