

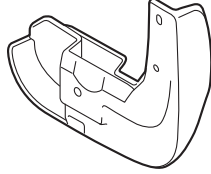


INSTALLATION INSTRUCTIONS

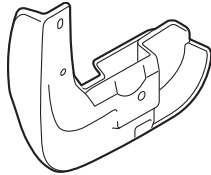
Accessory SPLASH GUARDS P/N 08P00-TR7-100A	Application 2013 CIVIC 4-DOOR (Si)	Publications No. All 13082
		Issue Date JAN 2013

PARTS LIST

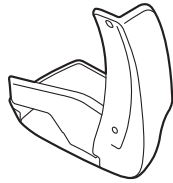
Left front splash guard



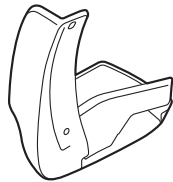
Right front splash guard



Left rear splash guard



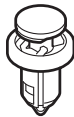
Right rear splash guard



10 Self-tapping screws



2 Clips



TOOLS AND SUPPLIES REQUIRED

Phillips screwdriver

Stubby Phillips screwdriver

Pushpin

High-quality paste wax

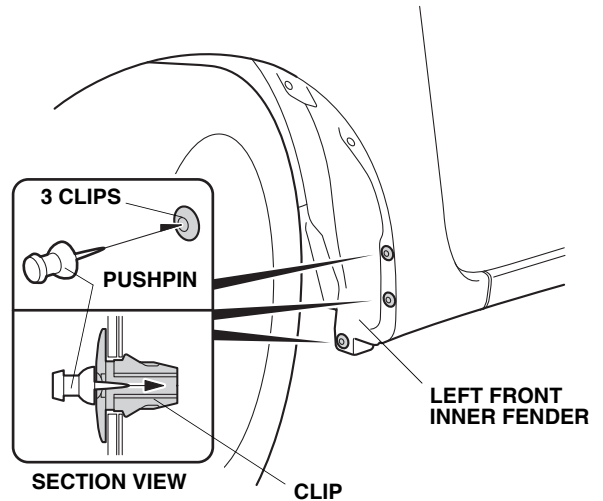
INSTALLATION

NOTE:

- Be careful not to damage the paint finish.
- These instructions show the left splash guards being installed. The same procedure applies to installing the right splash guards.
- Clean and wax the areas to be covered with a high-quality paste wax.

Installing the Front Splash Guards

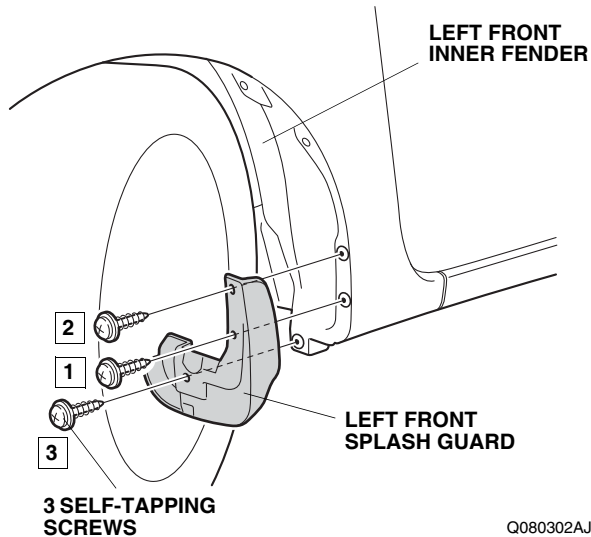
1. Turn the steering wheel fully counterclockwise.



Q080301BJ

2. Using a pushpin, pierce the centers of the three clips shown on the left front inner fender.

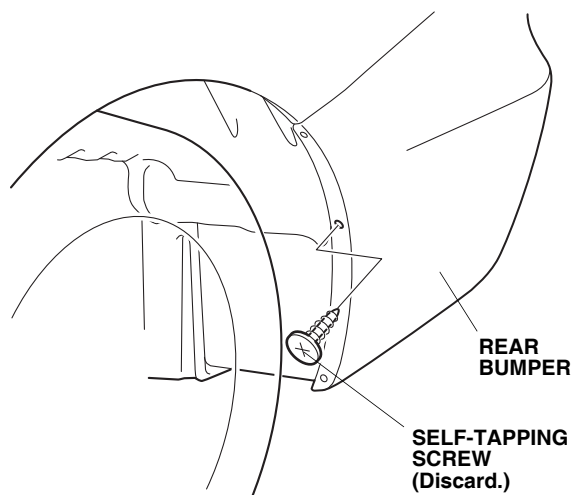
- Secure the left front splash guard with three self-tapping screws in the order shown below.
NOTE: Make sure there is no gap between the left front splash guard and the vehicle body. If there is a gap, loosen the self-tapping screws, hold the splash guard against the body, and retighten the screws.



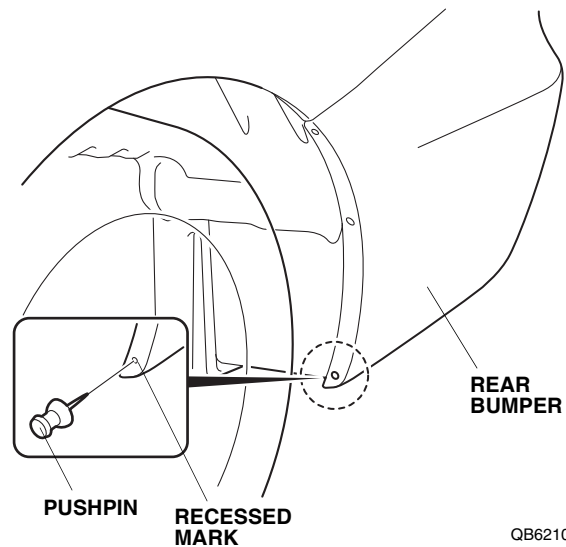
- Turn the steering wheel fully clockwise, and repeat steps 2 and 3 to install the right front splash guard on the right side of the vehicle.

Installing the Rear Splash Guards

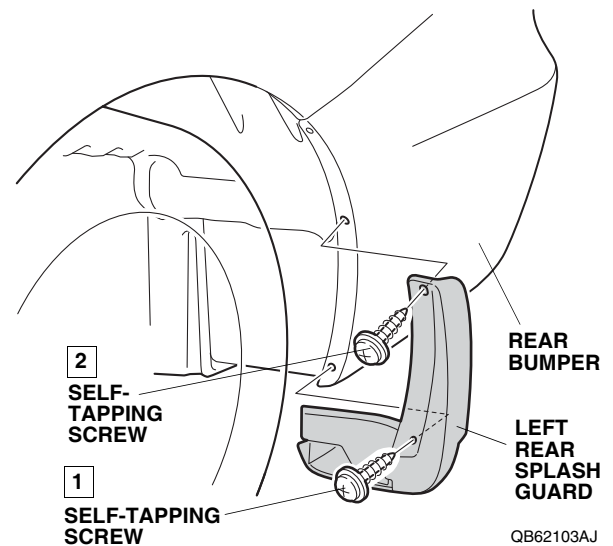
- Remove one self-tapping screw from the rear bumper.



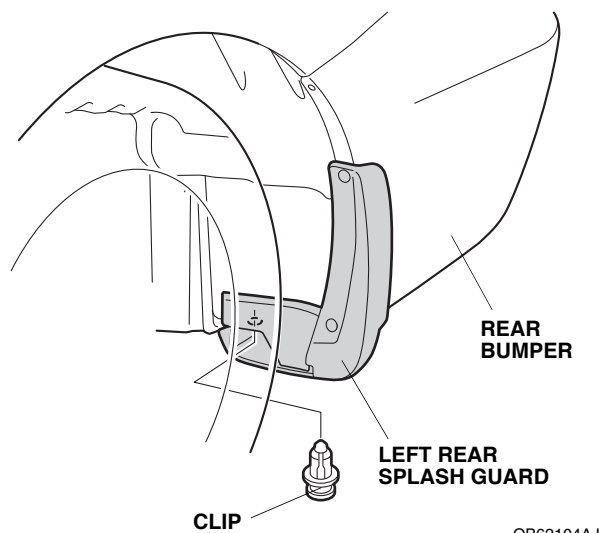
- Locate the recessed mark. Using a pushpin, pierce the rear bumper at the recessed mark.



- Secure the left rear splash guard with two self-tapping screws in the order shown below.
NOTE: Make sure there is no gap between the left rear splash guard and the bumper. If there is a gap, loosen the self-tapping screws, hold the splash guard against the bumper, and retighten the screws.



- Secure the left rear splash guard with one clip.



QB62104AJ

- Repeat steps 5 through 8 to install the right rear splash guard on the right side of the vehicle.