



# INSTALLATION INSTRUCTIONS

Accessory  
**BACKUP SENSORS**

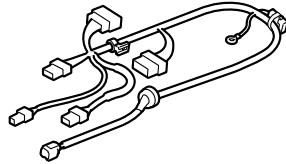
Application  
**2015 PILOT  
(LX AND EX)**

Publications No.  
**All 51550**  
Issue Date  
**MAY 2014**

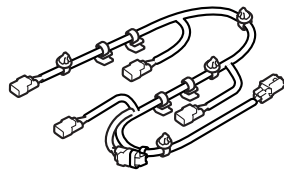
## PARTS LIST

**Backup Sensors Attachment Kit  
P/N 08V67-SZA-100C**

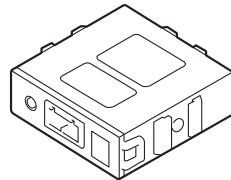
Backup sensor harness



Backup sensor subharness



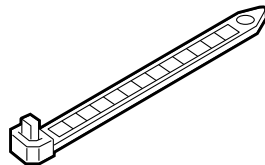
Control unit



Control unit bracket



14 Wire ties



Aluminum tape



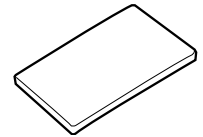
Clip



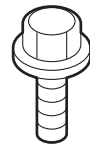
Fuse label



Cushion tape



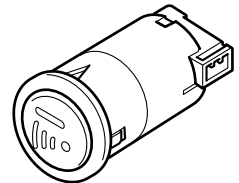
Flange bolt



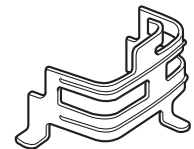
Flange nut



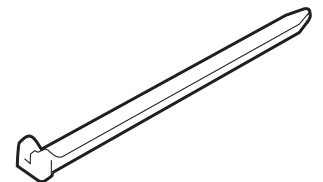
Switch



Switch bracket



Narrow wire tie



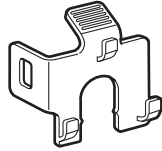
Connector clip



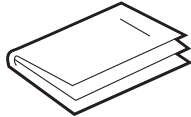
Buzzer



4 Sensor clips

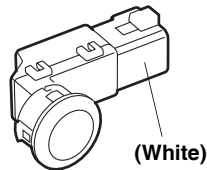


User's Information Manual

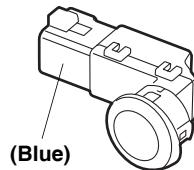


**Backup Sensor Kit  
P/N 08V67-SZA-100K**

2 Corner sensors



2 Center sensors  
(Larger than the corner sensors)



## TOOLS AND SUPPLIES REQUIRED

Phillips screwdriver

Small flat-tip screwdriver

Shop towel

Diagonal cutters

Ratchet

8 mm, 10 mm, and 14 mm Sockets

10 mm Open end wrench

Pushpin

Drill

3 mm Drill bit

24 mm and 26 mm Hole saws

Isopropyl alcohol

Eye protection (face shield, safety goggles, etc.)

Scissors

Rubber mallet

Torque wrench

Hex wrench

Ruler

Blanket

File

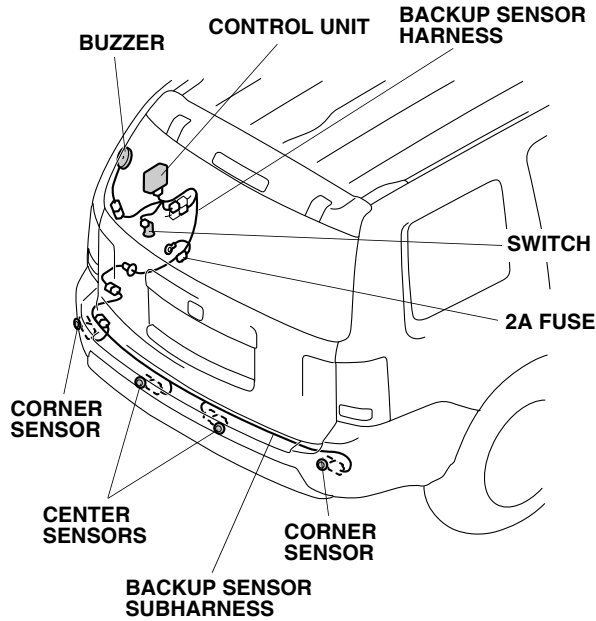
*The following tools are available through the Honda Tool and Equipment Program. On the iN, click on: Service > Service Bay > Tool and Equipment Program, then enter the number under "Search." Or, call 888-424-6857.*

Trim tool set (T/N SOJATP2014)

Deburring tool (T/N DEBUR300)

Plastic trim tool (T/N SILTRIMTL10)

### Illustration of the Backup Sensors on the Vehicle

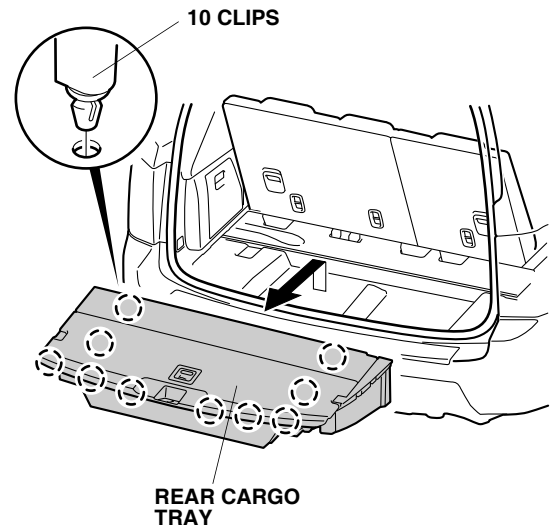


### INSTALLATION

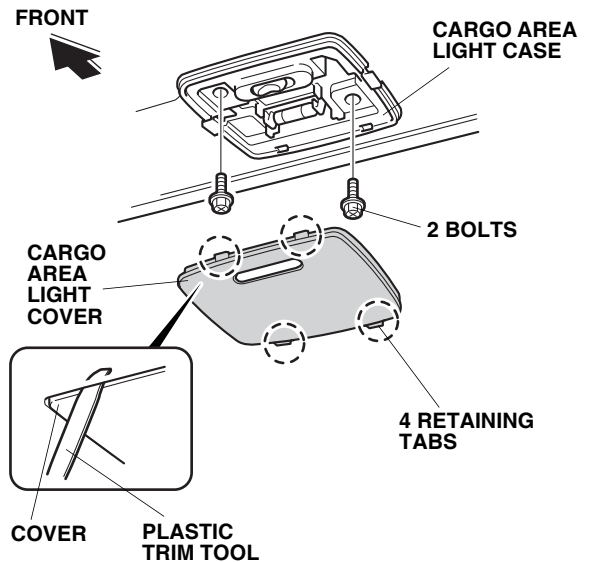
**Customer Information:** The information in this installation instruction is intended for use only by skilled technicians who have the proper tools, equipment, and training to correctly and safely add equipment to your vehicle. These procedures should not be attempted by “do-it-yourselfers.”

1. Make sure you have the anti-theft code for the audio unit and the navigation system (if equipped), then write down the radio presets.
2. Disconnect the negative cable from the battery.

3. Open the tailgate, and remove the rear cargo tray (ten clips).

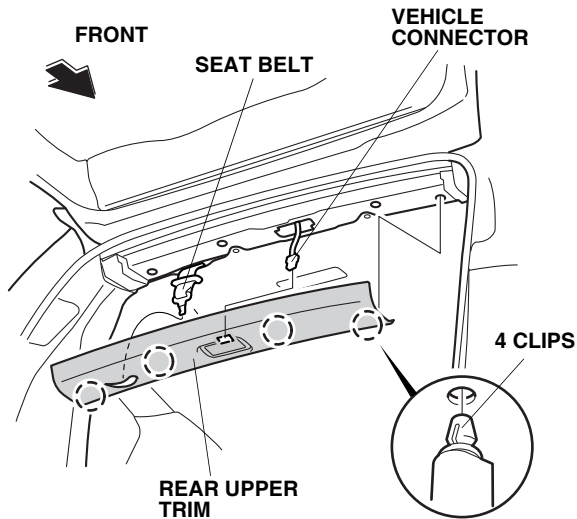


4. Using a plastic trim tool, remove the cargo area light cover (four retaining tabs).

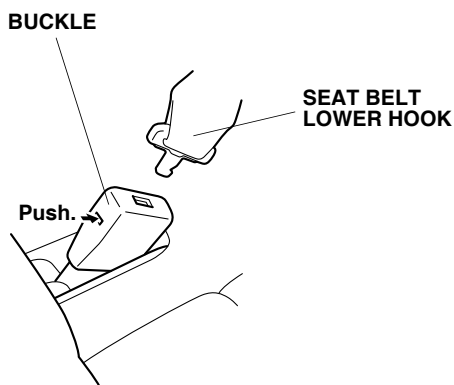


5. Remove the two bolts from the cargo area light case.

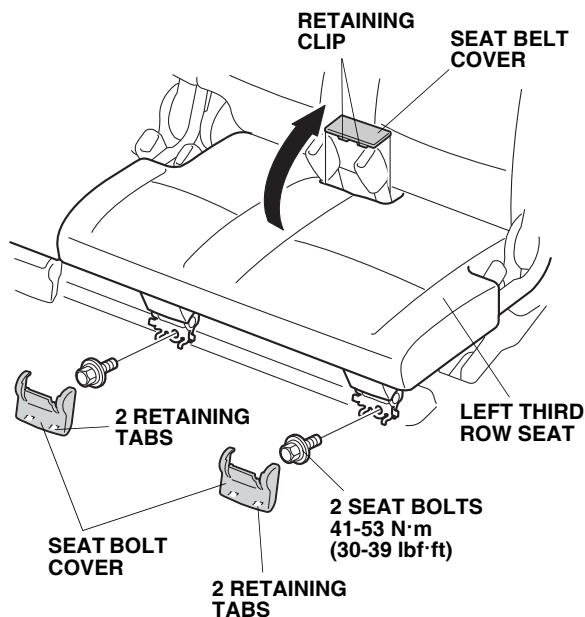
- Release the seat belt from the rear upper trim, then remove the rear upper trim (four clips and unplug the vehicle connector).



- Use a small flat-tip screwdriver to push on the buckle to release each seat belt lower hook from the left third row seat.

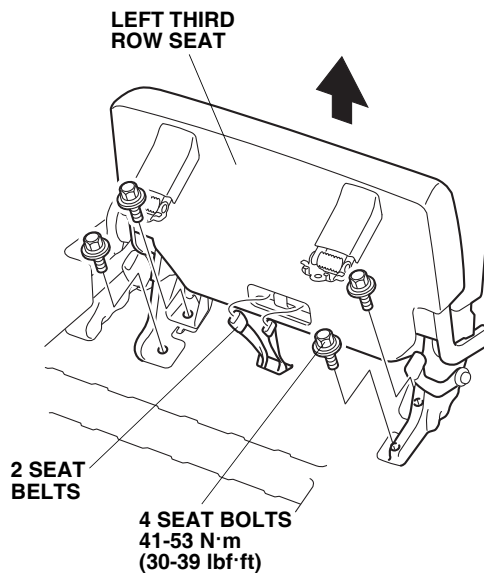


- Remove the two front seat bolt covers from the left third row seat (two retaining tabs for each cover).

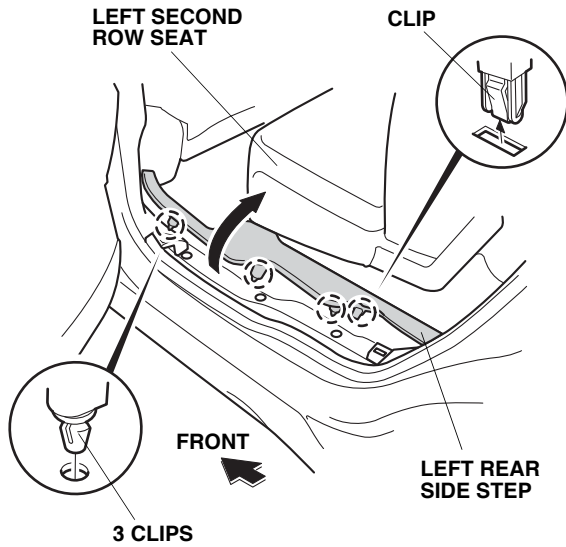


- Remove the two front seat bolts from the left third row seat.
- Remove the seat belt cover (two retaining clips), then raise the left third row seat assembly.
- With the left third row seat assembly still tilted up, remove the remaining four seat bolts. Remove the left third row seat.

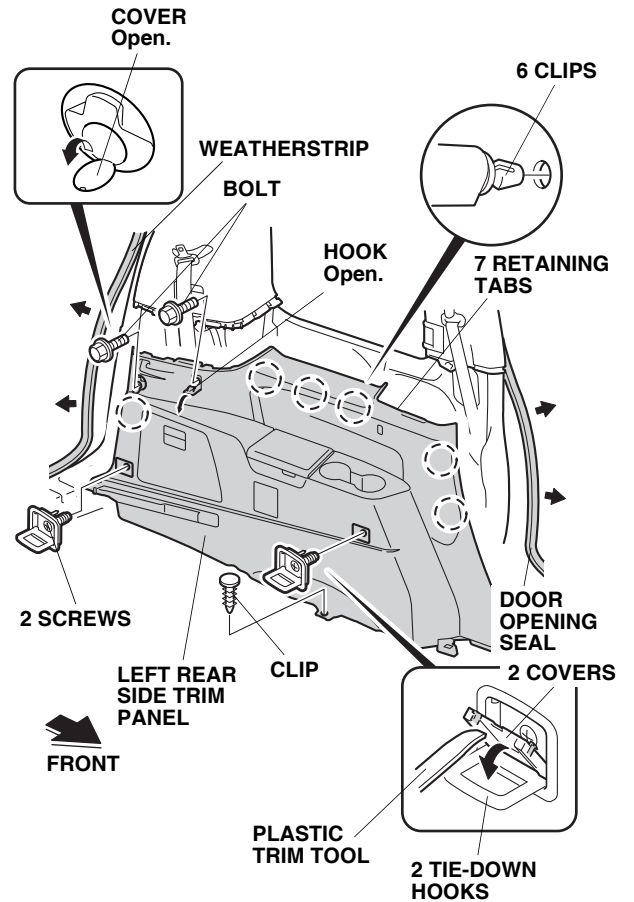
NOTE: When reinstalling the third row seat, apply Honda locktite to the seat bolt threads, and torque the seat bolts to 41-53 N·m (30-39 lbf·ft).



12. Inside the left rear passenger's door, remove the left rear side step (four clips).

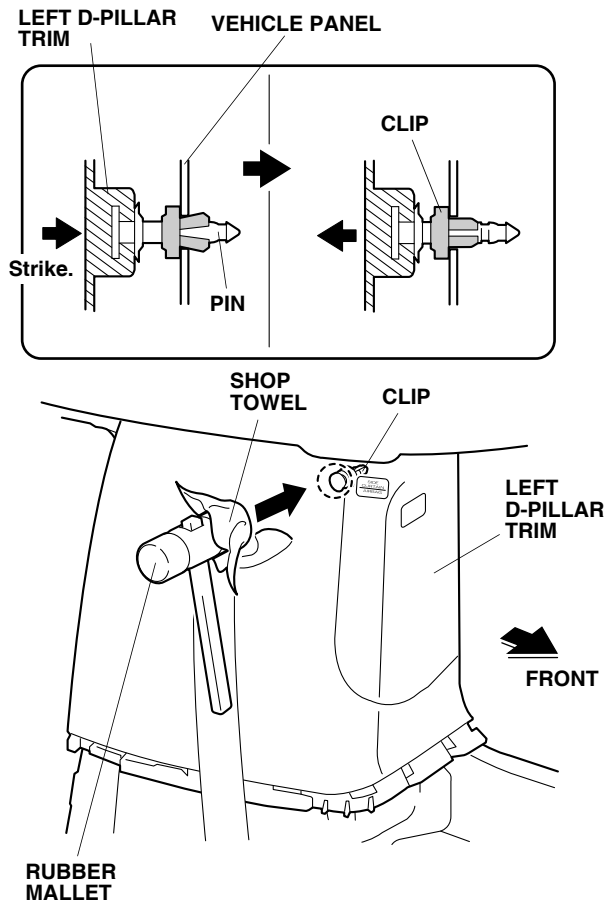


13. Using a plastic trim tool, open the two tie-down hook covers. Remove the two tie-down hooks from the left rear side trim panel (one screw for each cover).

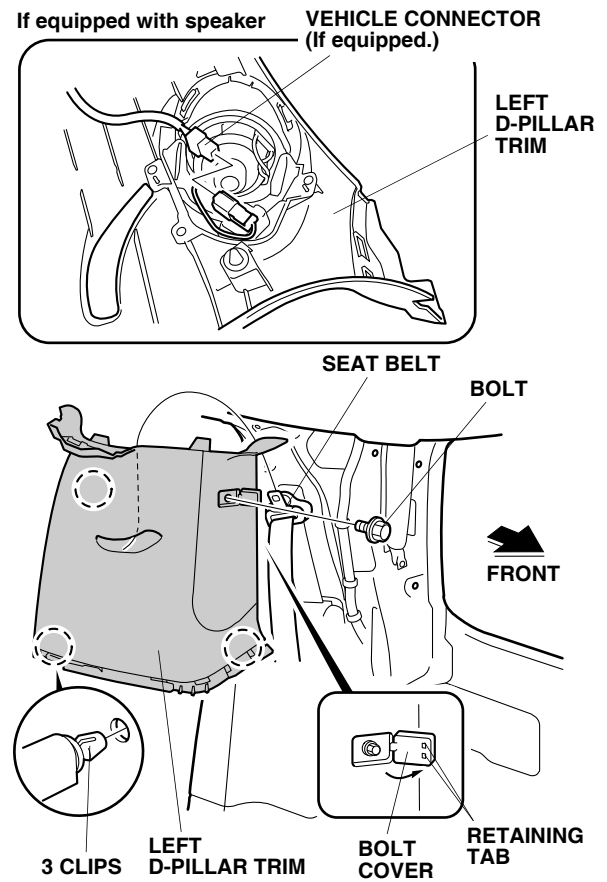


14. Pull away the weatherstrip and door opening seal at the front and rear of the left rear side trim panel. Remove the left rear side trim panel.

- Using a rubber mallet wrapped with a shop towel, gently tap the left D-pillar trim at the area shown to release the clip.

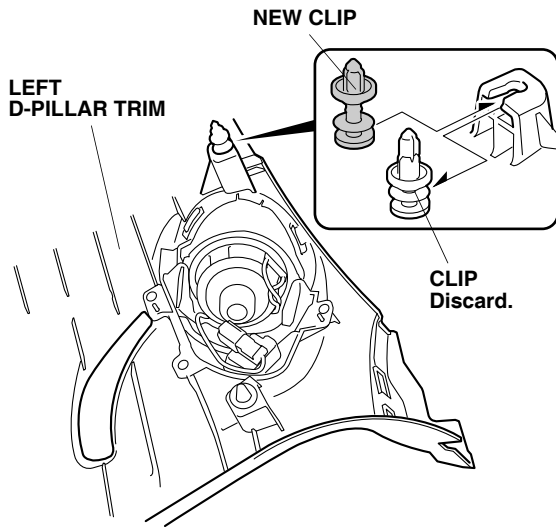


- Using a plastic trim tool, open the bolt cover on the left D-pillar trim (two retaining tabs).

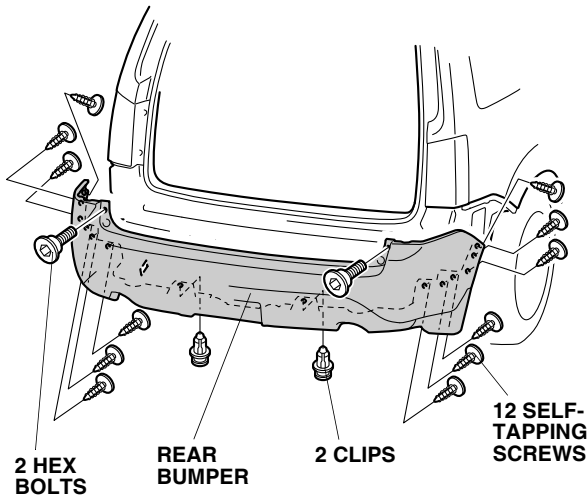


- Remove the bolt from the left D-pillar trim.
- Release the seat belt from the left D-pillar trim and remove the left D-pillar trim (three clips and unplug the vehicle connector, if equipped).

19. Remove the clip from the left D-pillar trim, and install the new clip (supplied) to the left D-pillar trim.

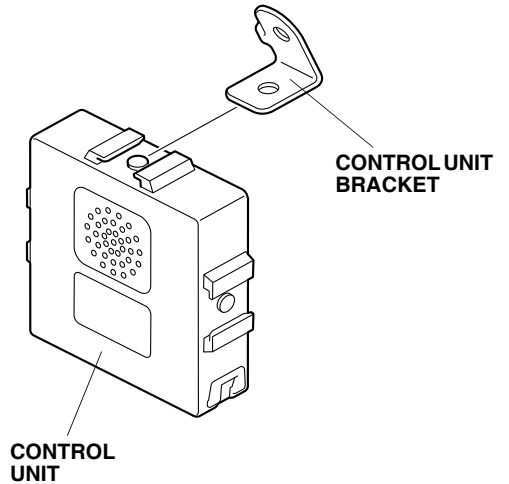


20. With the help of an assistant, remove the rear bumper (two clips, two hex bolts and twelve self-tapping screws). Place the rear bumper on a blanket after removal.

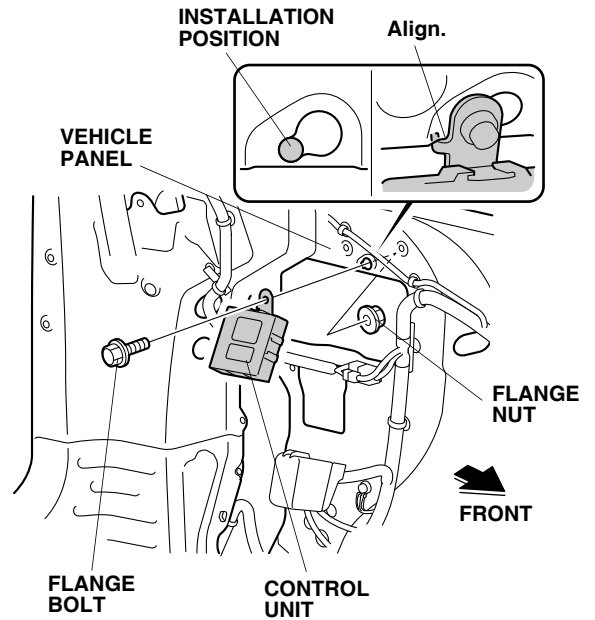


### Installing the Control Unit

21. Install the control unit bracket to the control unit.  
 NOTE: Make sure the control unit bracket is installed in the correct position.



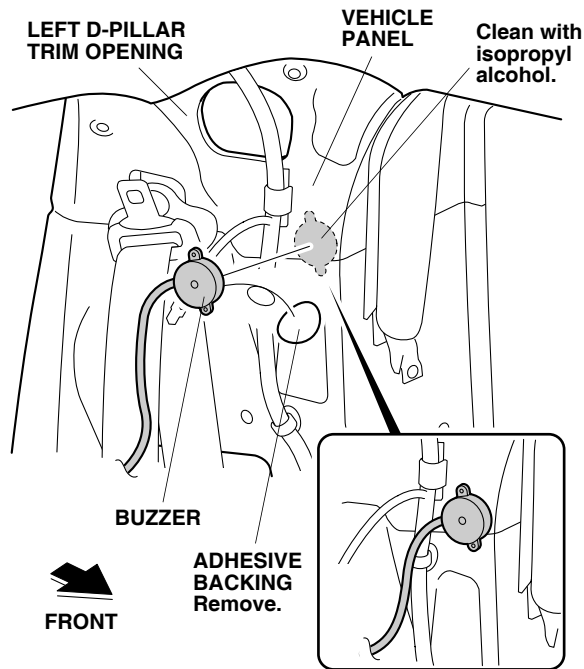
22. Secure the control unit bracket to the vehicle panel with one flange bolt and one flange nut as shown.



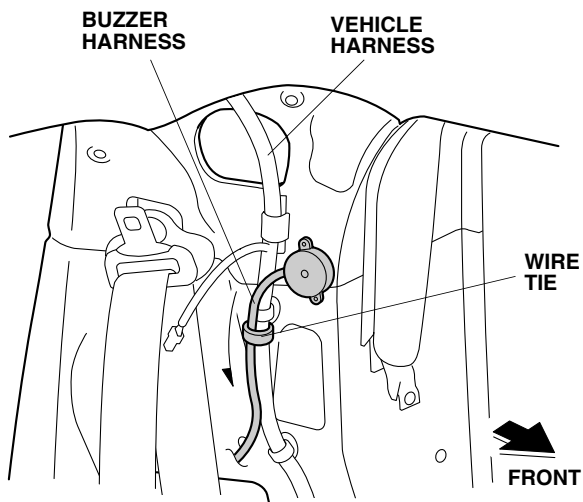
## Installing the Buzzer

23. Using isopropyl alcohol on a shop towel, clean the vehicle panel where the buzzer will attach. Remove the adhesive backing from the buzzer, and attach the buzzer to the vehicle panel.

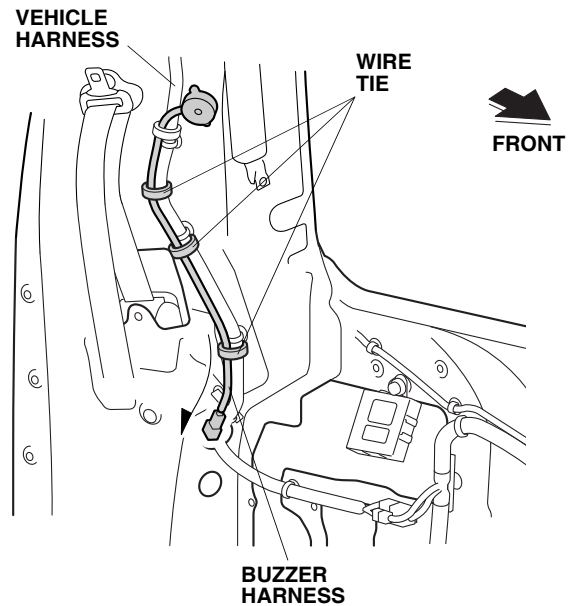
NOTE: Make sure the buzzer is attached in the correct orientation.



24. Route the buzzer harness along the vehicle harness, and secure it to the vehicle harness with one wire tie.

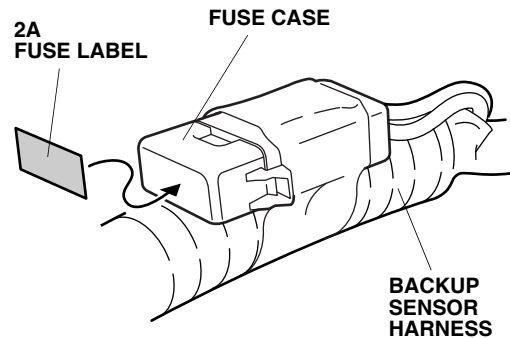


25. Continue routing the buzzer harness down along the vehicle harness, and secure it to the vehicle harness with three wire ties.



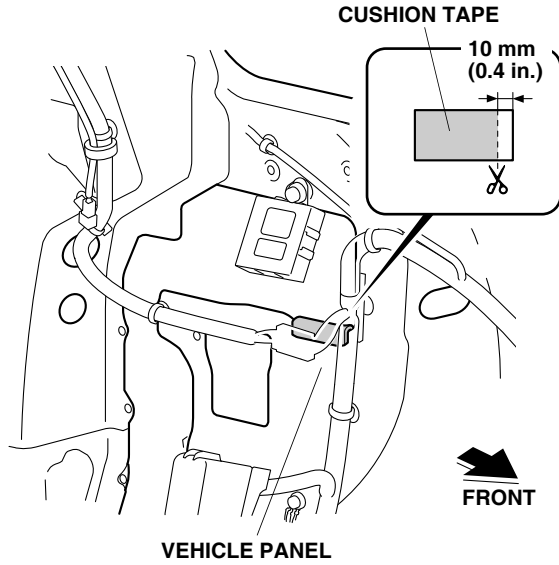
## Routing the Backup Sensor Harness

26. Using isopropyl alcohol on a shop towel, thoroughly clean the fuse case where the fuse label will attach. Attach the 2A fuse label to the backup sensor harness fuse case.



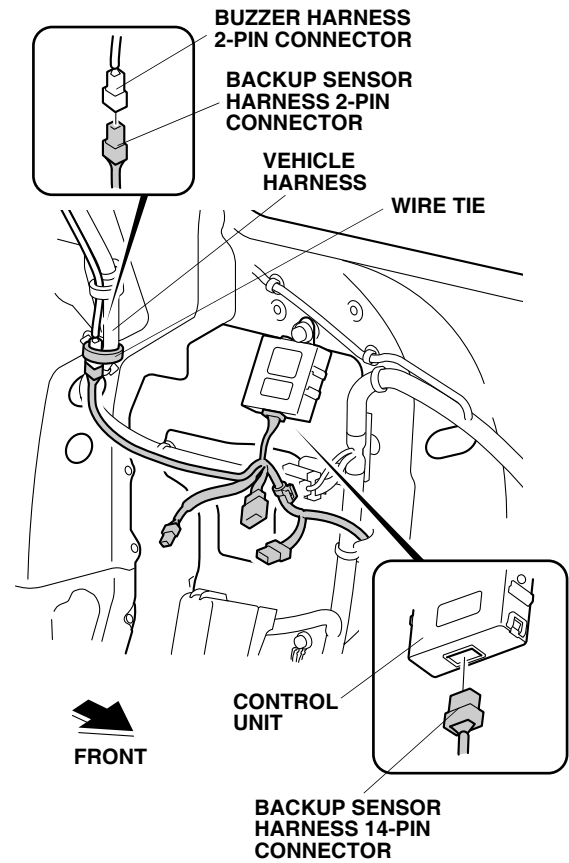


27. Using scissors, cut one cushion tape as shown.

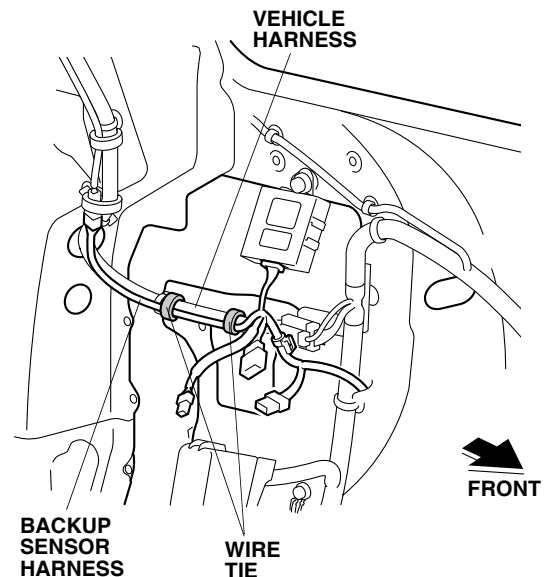


28. Using isopropyl alcohol on a shop towel, clean the vehicle panel where the cushion tape will attach. Attach the cushion tape to the vehicle panel in the area shown.

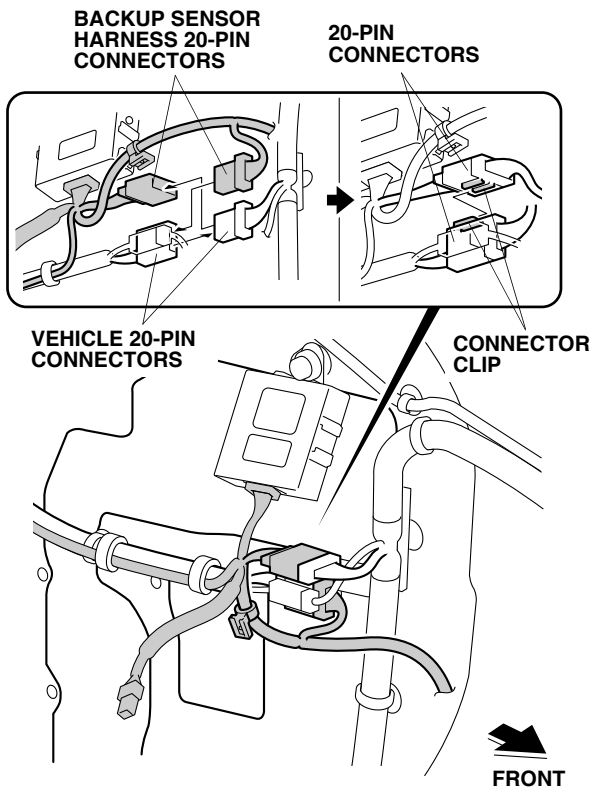
29. Plug the backup sensor harness 14-pin connector into the control unit.



30. Plug the backup sensor harness 2-pin connector into the buzzer harness 2-pin connector.
31. Secure the 2-pin connectors to the vehicle harness with one wire tie.
32. Secure the backup sensor harness to the vehicle harness with two wire ties.

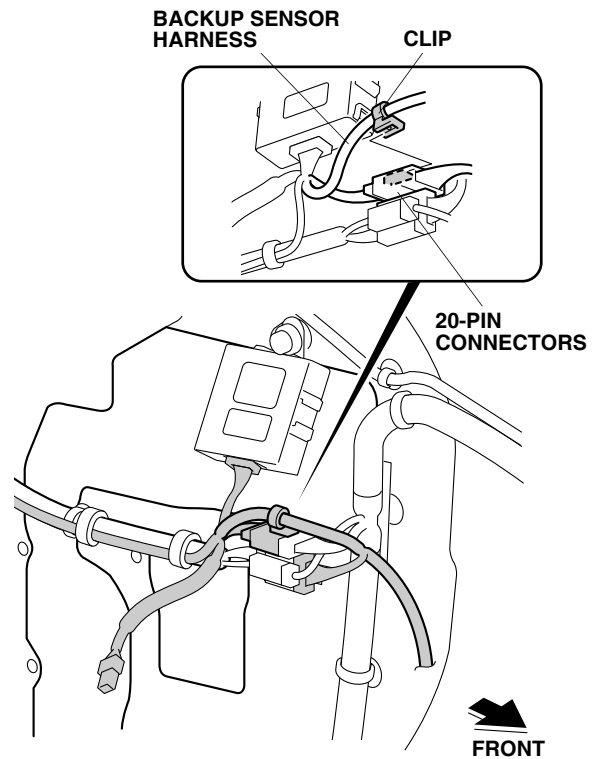


33. Unplug the vehicle 20-pin connector, and plug it into the backup sensor harness 20-pin connector. Plug the remaining backup sensor harness 20-pin connector into the vehicle 20-pin connector.

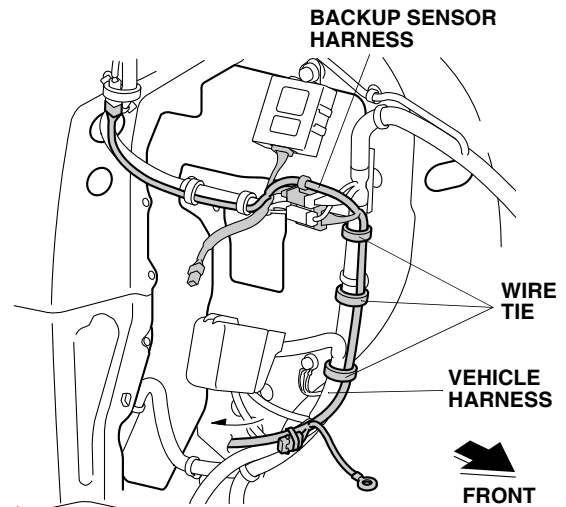


34. Attach the 20-pin connectors together using the connector clip.

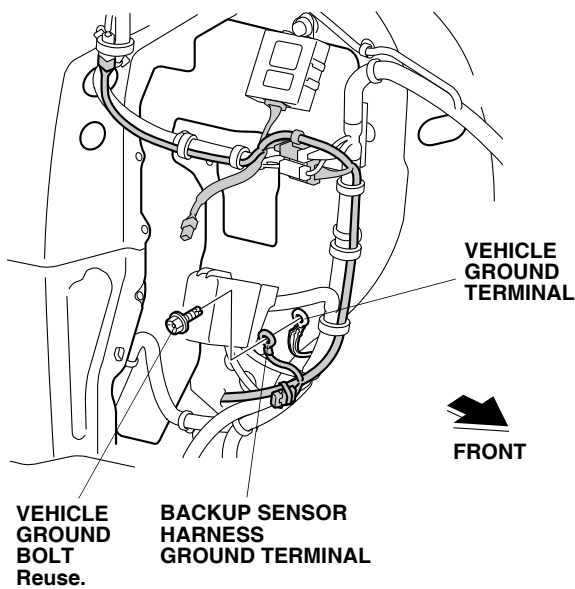
35. Slide the clip from the backup sensor harness to the 20-pin connectors as shown.



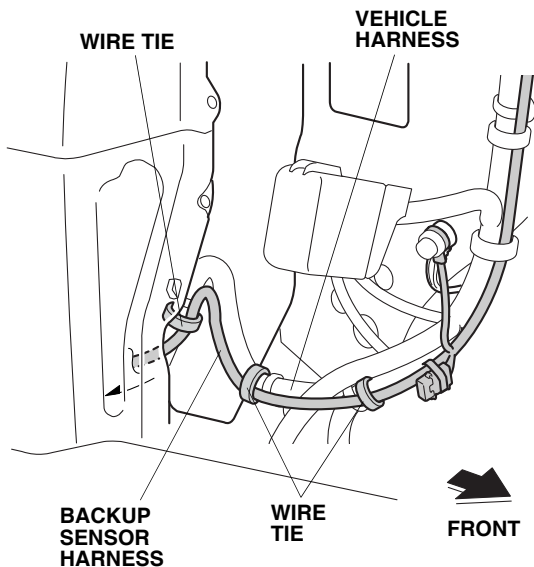
36. Route the backup sensor harness along the vehicle harness, and secure it to the vehicle harness with three wire ties.



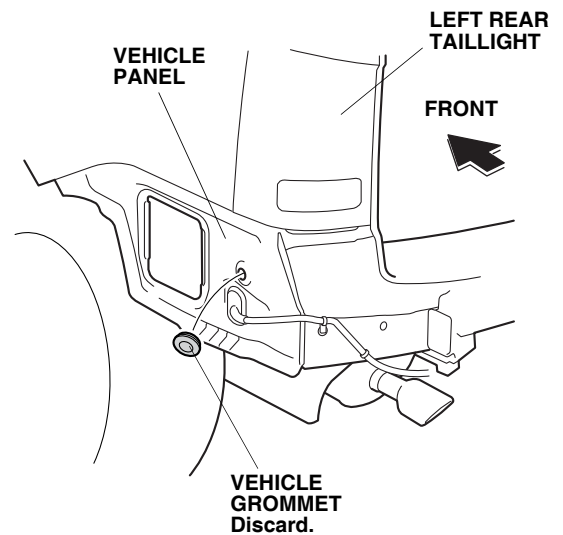
37. Remove the vehicle ground bolt from the vehicle ground terminal. Secure the backup sensor harness ground terminal to the vehicle ground terminal with the vehicle ground bolt just removed.



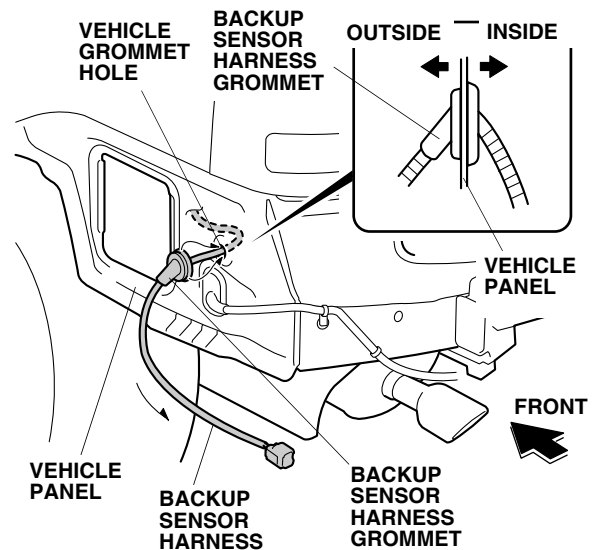
38. Route the backup sensor harness along the vehicle harness, and secure it to the vehicle harness with three wire ties.



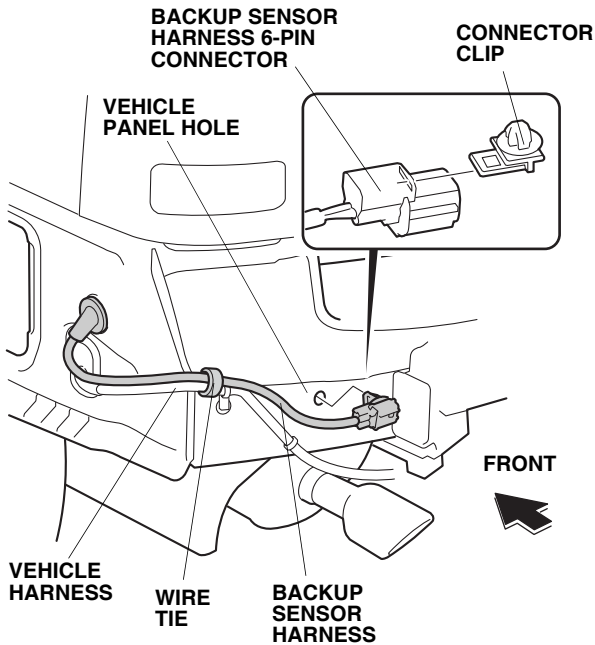
39. On the outside of the vehicle, locate and remove the vehicle grommet from the vehicle panel.



40. Route the backup sensor harness through the vehicle grommet hole, and install the backup sensor harness grommet to the vehicle panel. Make sure to install the grommet in the correct orientation. Do not pull on the backup sensor harness when installing the grommet.



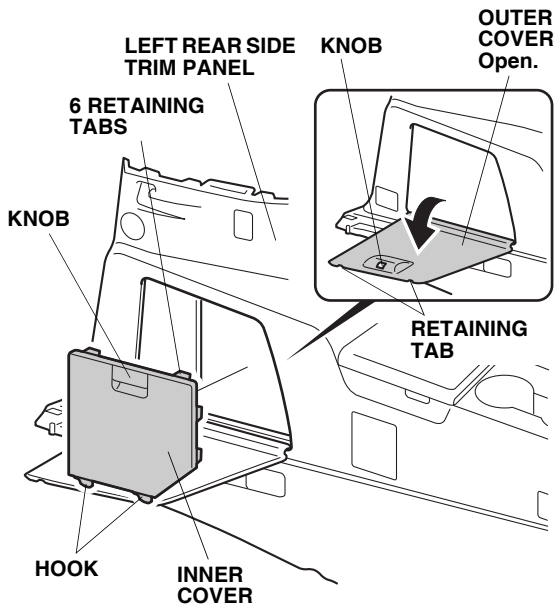
41. Slide the connector clip onto the backup sensor harness 6-pin connector, then install the connector clip into the vehicle panel hole.



42. Secure the backup sensor harness to the vehicle harness with one wire tie.

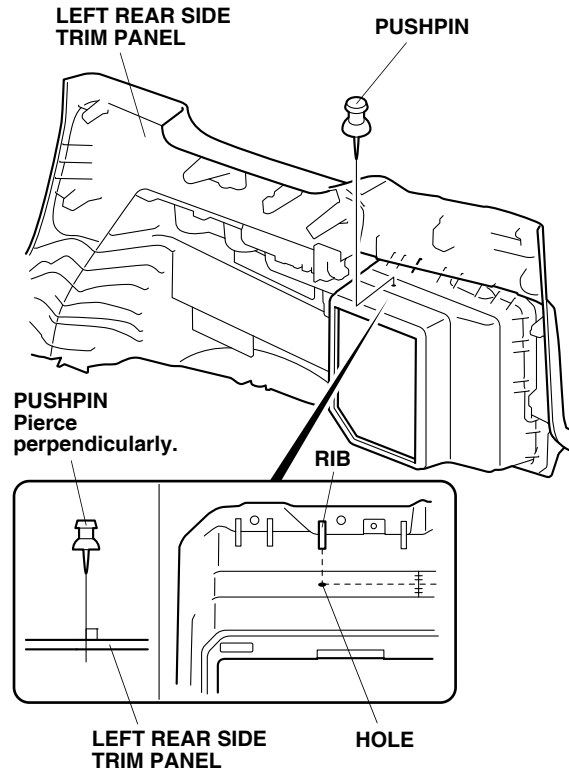
### Installing the Switch

43. Get the left rear side trim panel. Pull the knob, and open the outer cover on the left rear side trim panel (two retaining tabs).

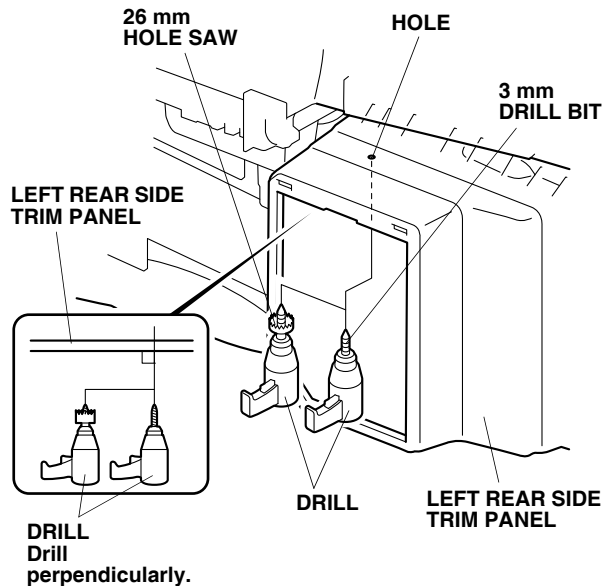


44. Pull the knob, and remove the inner cover from the left rear side trim panel (six retaining tabs and two hooks).

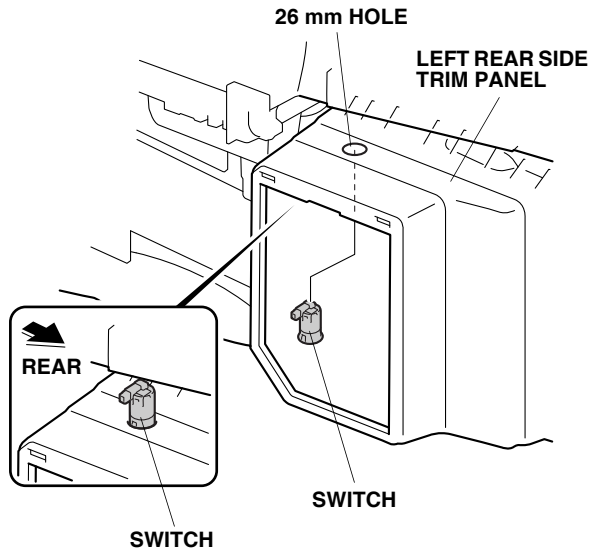
45. On the inside of the left rear side trim panel, locate the rib shown. Using a pushpin, pierce the left rear side trim panel at the location shown.  
NOTE: Make sure to pierce perpendicularly to the left rear side trim panel.



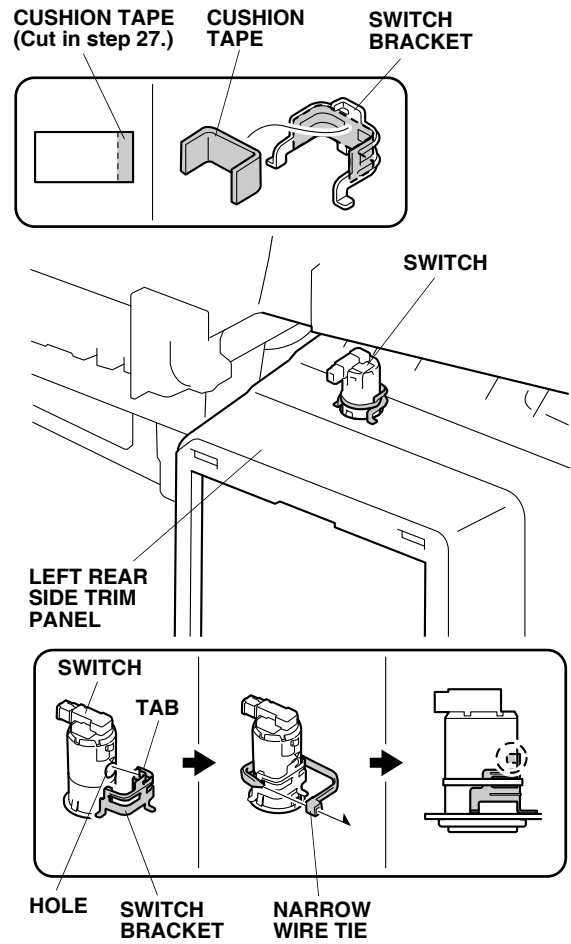
46. While wearing eye protection, drill a 3 mm hole at the pierced mark. Enlarge the 3 mm hole to 26 mm using a 26 mm hole saw.  
NOTE: Make sure to drill perpendicularly to the left rear side trim panel.



47. Install the switch into the 26 mm hole in the left rear side trim panel.  
 NOTE: Make sure the switch is installed in the correct direction.

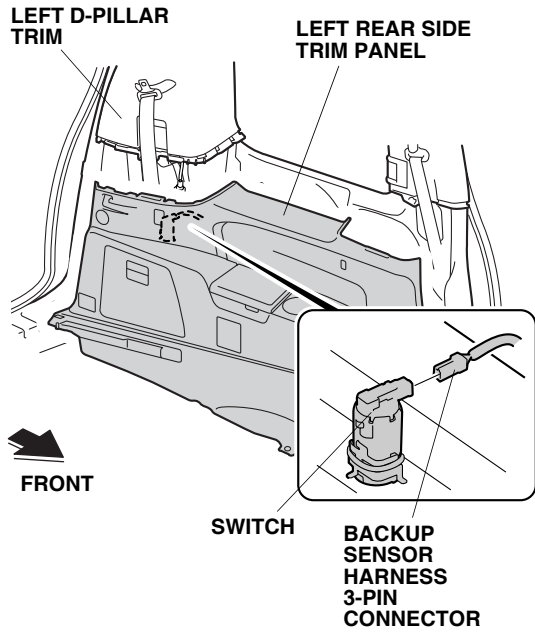


48. Using isopropyl alcohol on a shop towel, clean the switch bracket where the cushion tape will attach. Attach the remaining piece of cushion tape (from step 27) to the switch bracket as shown.



49. Secure the switch bracket to the switch using the narrow wire tie.

50. Reinstall the left D-pillar trim and the cover.



51. Bring the left rear side trim panel into position, plug the backup sensor harness 3-pin connector into the switch, and reinstall the left rear side trim panel.

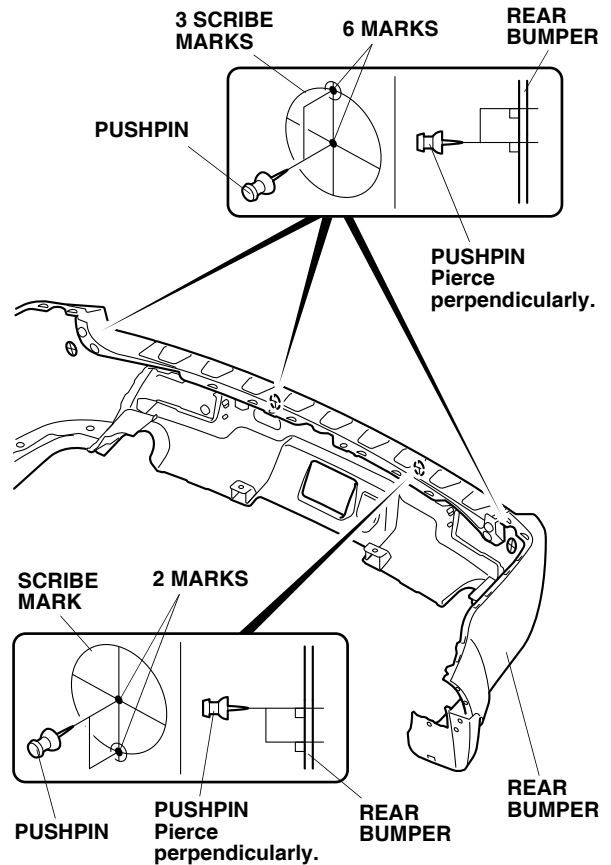
## Installing the Backup Sensors

52. Mark the inside of the rear bumper:

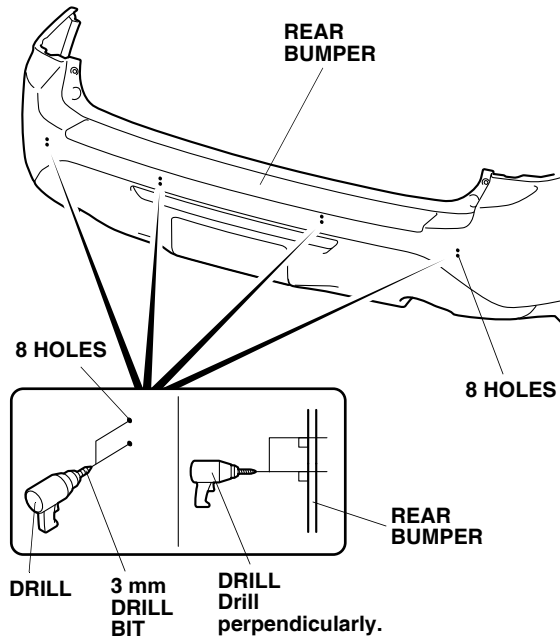
- Locate the three scribe marks on the inside of the bumper at the center and right side.
- Using a pushpin, pierce the rear bumper at the **top and center** of the three marks.
- Locate the scribe mark on the inside rear bumper on the left side.
- Using a pushpin, pierce the rear bumper at the **bottom and the center** of the left mark.

### NOTE:

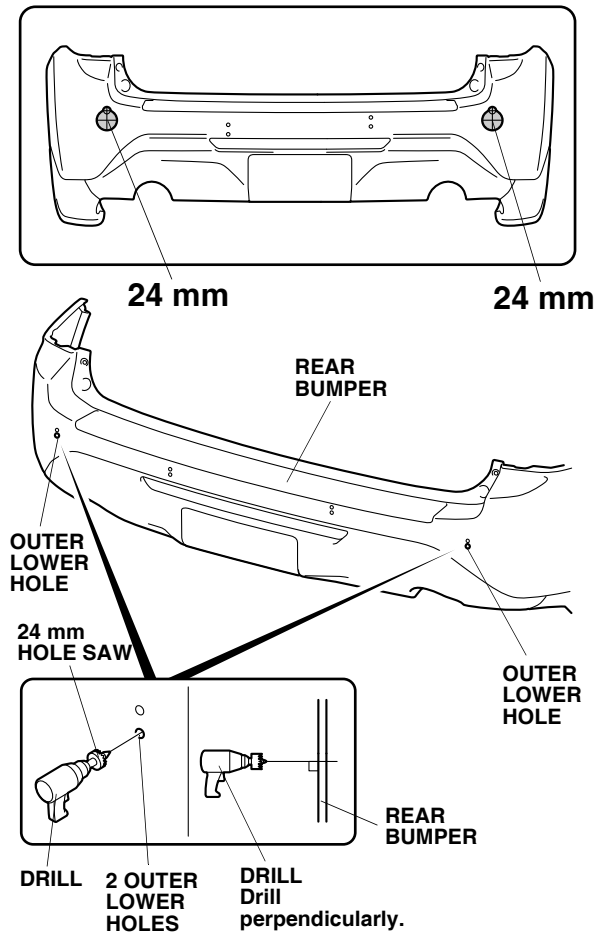
- There are several markings on the inside of the rear bumper. Before piercing the rear bumper, verify you have the correct locations.
- Make sure to pierce the scribe marks perpendicularly to the rear bumper.



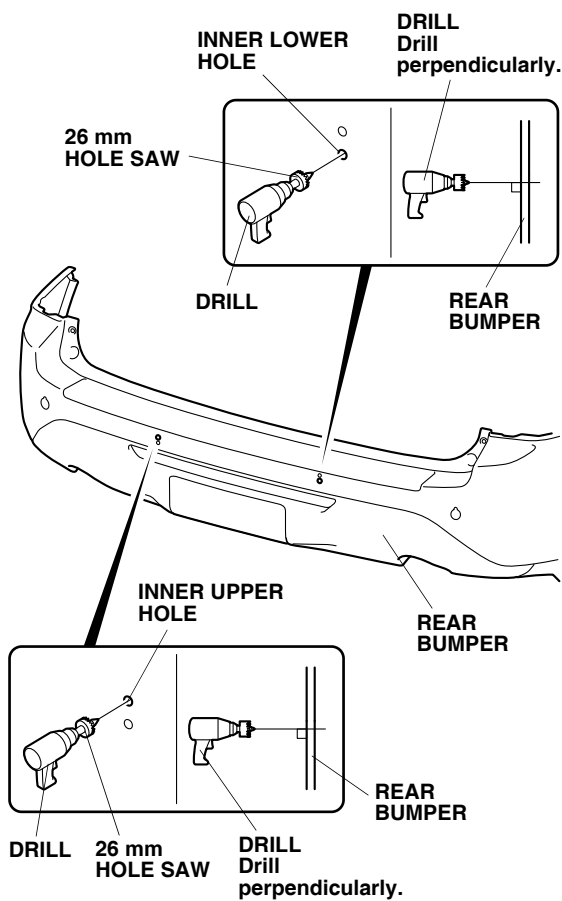
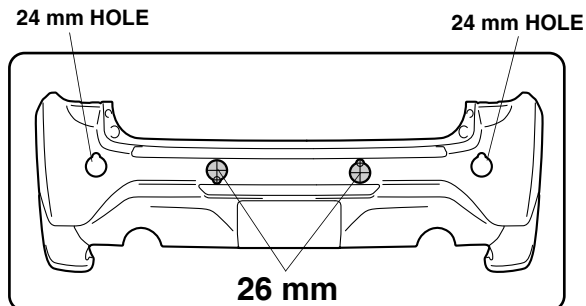
53. While wearing eye protection, drill the eight pierced marks with a 3 mm drill bit from the painted side of the rear bumper.
- NOTE: Make sure to drill perpendicularly to the rear bumper.



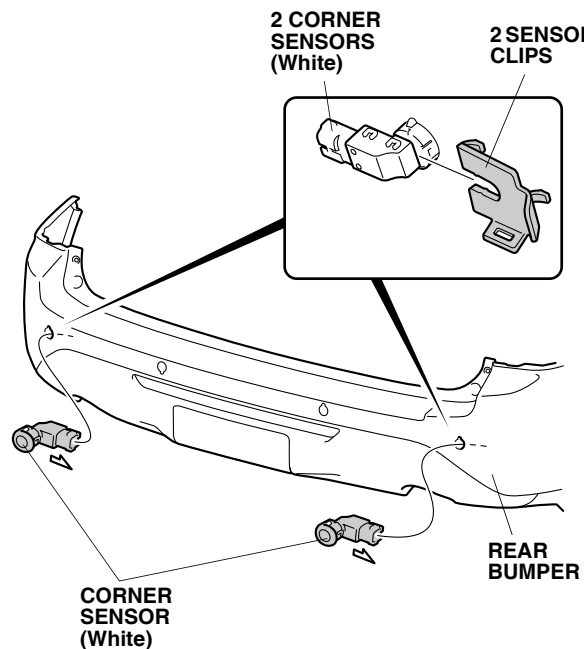
54. While wearing eye protection, enlarge the two **lower 3 mm outer** holes to 24 mm using a 24 mm hole saw.
- NOTE: Make sure to drill perpendicularly to the rear bumper. Remove any burrs.



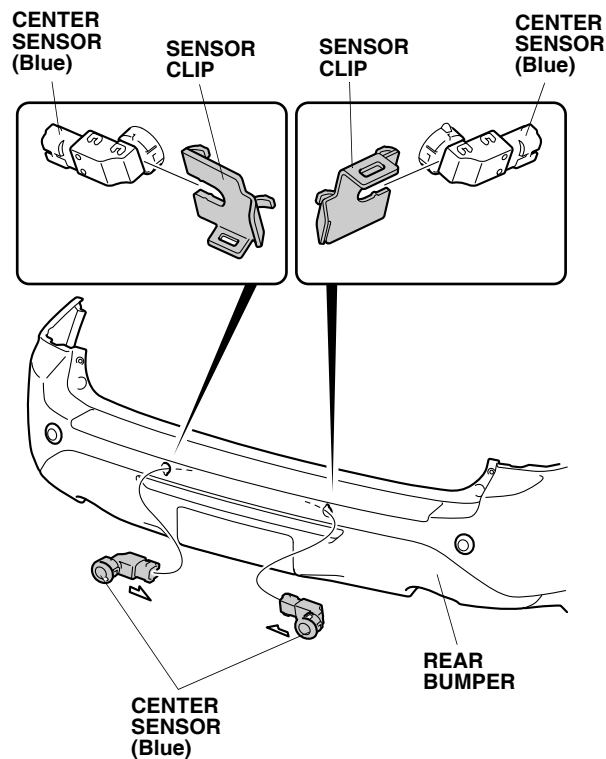
55. While wearing eye protection, enlarge the right center **lower** 3 mm hole to 26 mm using a 26 mm hole saw. While wearing eye protection, enlarge the left center **upper** 3 mm hole to 26 mm using a 26 mm hole saw.  
 NOTE: Make sure to drill perpendicularly to the rear bumper. Remove any burrs.



56. Insert the two corner sensors into the outer holes in the rear bumper, and secure the two corner sensors with the two sensor clips.

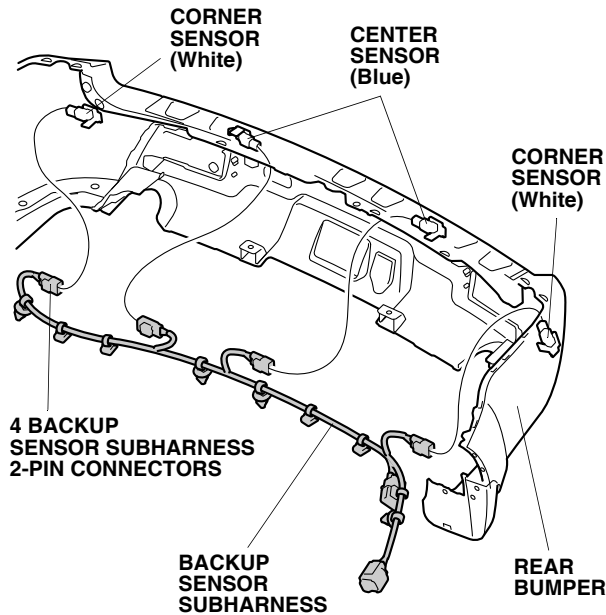


57. Insert the two center sensors into the center holes in the rear bumper, and secure the two center sensors with the two sensor clips. Note the direction of each sensor.

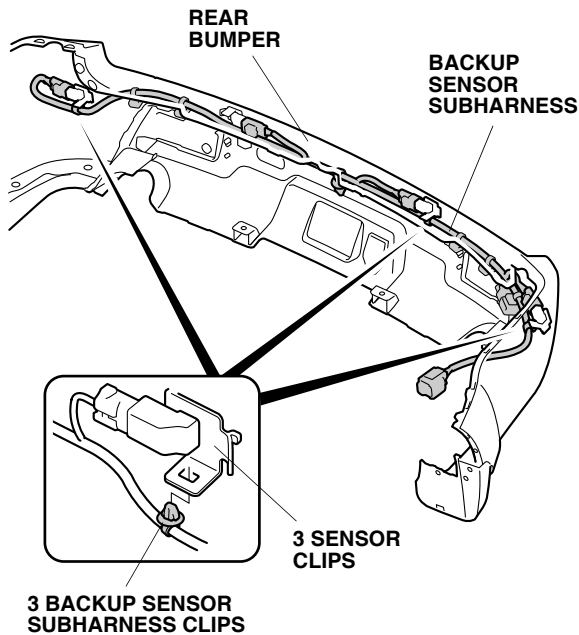




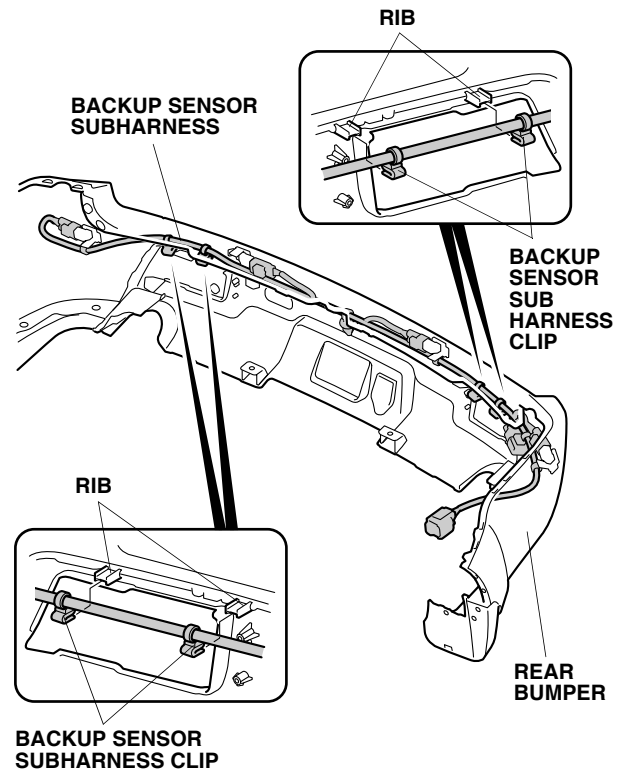
58. Plug the four backup sensor subharness 2-pin connectors into the four sensors.



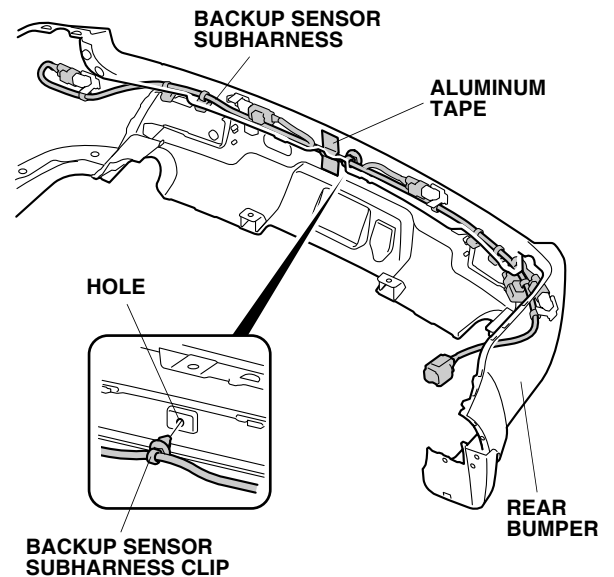
59. Secure the three backup sensor subharness clips to the three sensor clips as shown.



60. Secure the four backup sensor subharness clips to the four ribs on the rear bumper as shown.

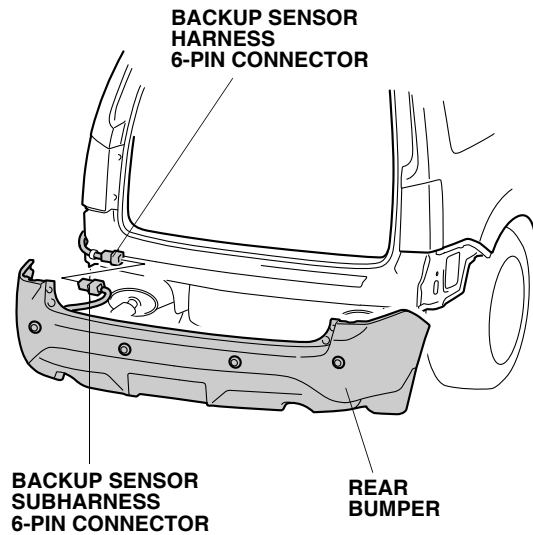


61. Secure the clip on the backup sensor subharness to the hole on the rear bumper as shown.



62. Using isopropyl alcohol on a shop towel, clean the rear bumper where the aluminum tape will attach. Secure the backup sensor subharness to the rear bumper with one aluminum tape.

63. With the help of an assistant, bring the rear bumper to the vehicle, and plug the backup sensor subharness 6-pin connector into the backup sensor harness 6-pin connector. Reinstall the rear bumper.



64. Check that all wire harnesses are routed properly and that all connectors are plugged in.
65. Reconnect the negative cable to the battery.
66. Enter the customer's anti-theft code for the audio and navigation system (if equipped), and reset the radio station presets.
67. Reset the clock.
68. Reinstall all removed parts.
69. Check that the backup sensors work properly as described in the Accessory User's Information Manual supplied with the backup sensor kit.

### Buzzer Volume Control

The original volume setting is turned to maximum volume. The volume level can be adjusted by turning the volume control knob on the control unit using a small flat-tip screwdriver.

NOTE: Do not turn it too forcefully, you may damage the control unit.

