



# INSTALLATION INSTRUCTIONS

Accessory  
**SPLASH GUARDS**  
P/N 08P00-T3L-100A

Application  
**2016 ACCORD**  
**2-DOOR**

Publications No.  
**VERSION 1**  
Issue Date  
**AUG 2015**

## PARTS LIST

Left front splash guard



Right front splash guard



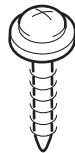
Left rear splash guard



Right rear splash guard



8 Washer-screws



2 Spring nuts



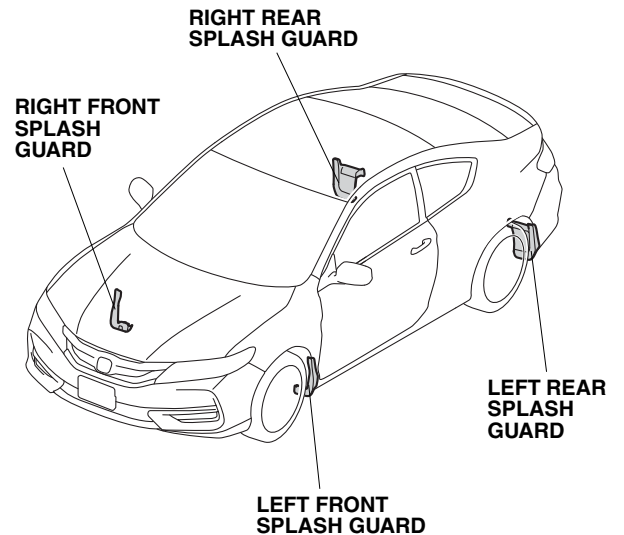
## TOOL AND SUPPLIES REQUIRED

- Phillips screwdriver
- Flat-tip screwdriver
- Pushpin
- Stubby Phillips screwdriver
- Utility knife
- Felt-tip pen
- Ruler

*The following tool is available through the Honda Tool and Equipment Program. On the iN, click on: Service > Service Bay > Tool and Equipment Program, then enter the number under "Search." Or, call 888-424-6857.*

- Trim Tool Set (T/N SOJATP2014)

### Illustration of the Splash Guards on the Vehicle



QE20601AC

## INSTALLATION

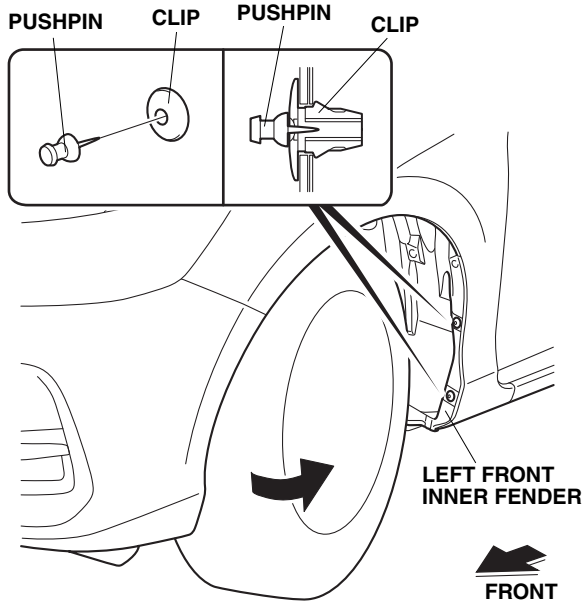
**Customer Information:** The information in this installation instruction is intended for use only by skilled technicians who have the proper tools, equipment, and training to correctly and safely add equipment to your vehicle. These procedures should not be attempted by "do-it-yourselfers."

### NOTE:

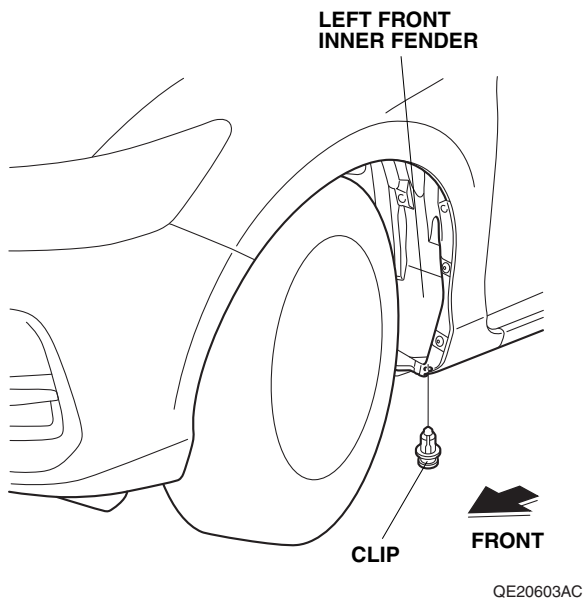
- Do not damage the paint finish.
- Clean and wax the areas to be covered with a high-quality paste wax.

## Installing the Front Splash Guards

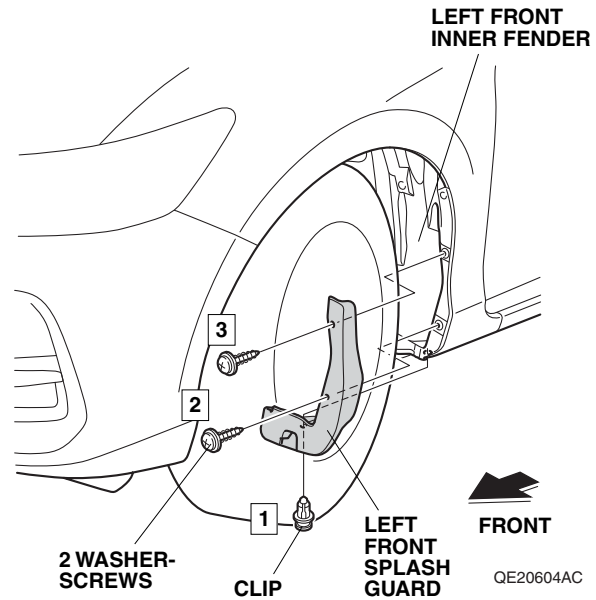
1. Turn the steering wheel fully counterclockwise.



2. Using a pushpin, pierce the center of the two clips in the left front inner fender.
3. Remove one clip from the left front inner fender.



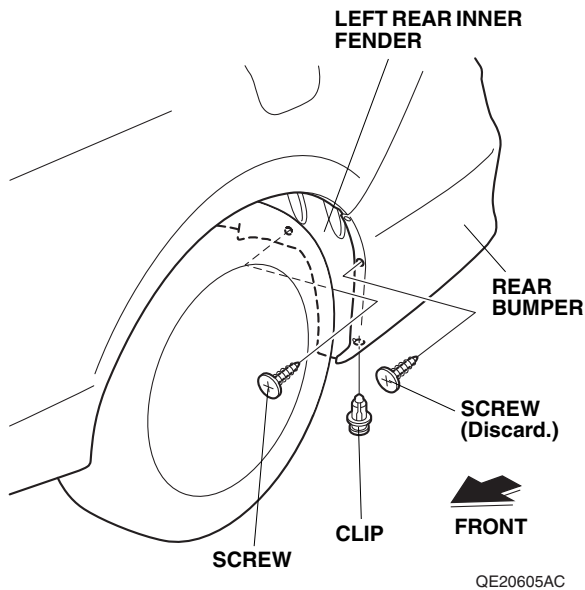
4. Install the left front splash guard to the left front inner fender with two washer-screws and the clip removed in step 3. Install them in this order 1 → 2 → 3. Make sure there is no gap between the left front splash guard and the vehicle body. If there is a gap, loosen the two washer-screws, hold the splash guard against the body, and tighten the two washer-screws.



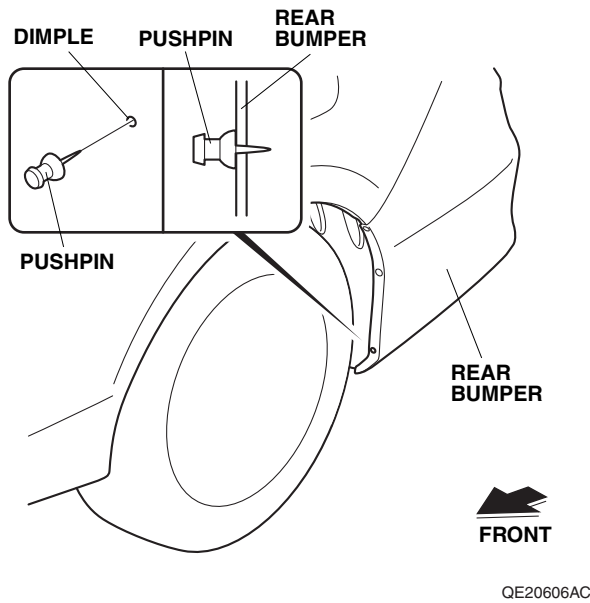
5. Turn the steering wheel fully clockwise, and repeat steps 2 through 4 to install the right front splash guard.

## Installing the Rear Splash Guards

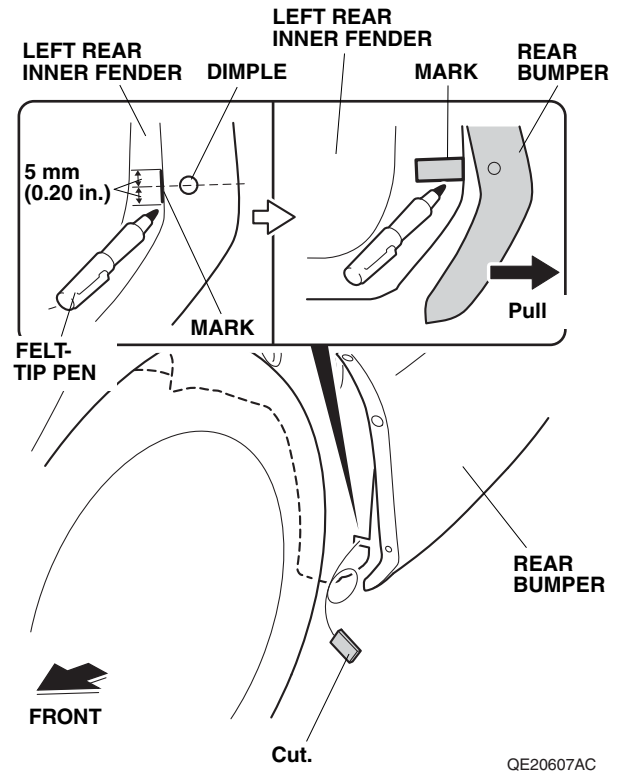
- Remove and discard one screw from the rear bumper.



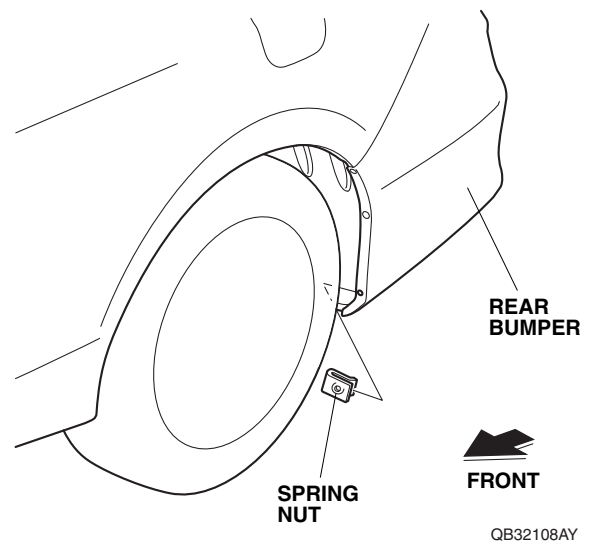
- Remove one screw and one clip from the left rear inner fender and rear bumper.
- Using a pushpin, pierce the rear bumper at the dimple.



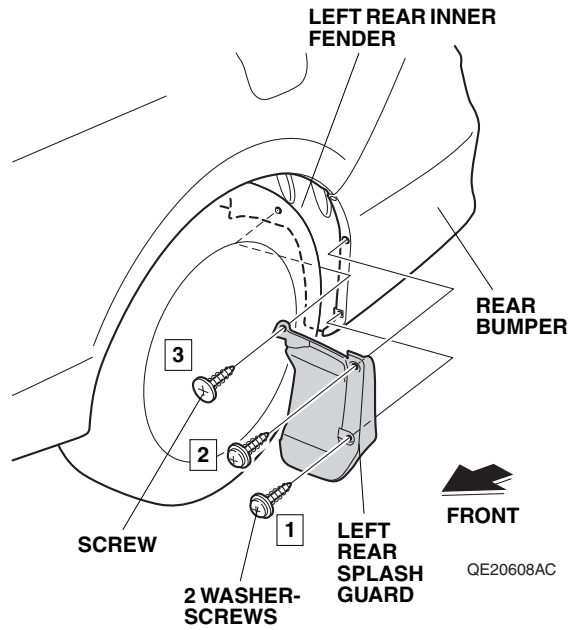
- Gently pull away the rear bumper in the area shown. Using a felt-tip pen, mark the left rear inner fender at the measurement shown.



- Cut the left rear inner fender along the mark made in step 9.
- Align the rear bumper back to its original position with the clip removed in step 7.
- Install one spring nut over the hole in the rear bumper. Install the spring nut in the direction shown.



13. Install the left rear splash guard to the rear bumper with two washer-screws and the screw removed in step 7. Install them in this order 1 → 2 → 3. Make sure there is no gap between the left rear splash guard and the vehicle body. If there is a gap, loosen the two washer-screws and one screw, hold the splash guard against the body, and tighten the two washer-screws and one screw.



14. Repeat steps 6 through 13 to install the right rear splash guard.