

**PARTS LIST**

Right front splash guard



Left front splash guard



Right rear splash guard



Left rear splash guard



4 Spring nuts



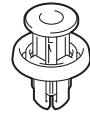
6 Self-tapping screws, 5 x 25 mm



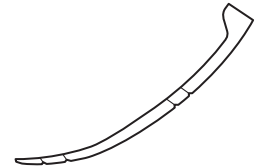
4 Self-tapping screws, 5 x 20 mm



2 Clips



Template

**TOOLS AND SUPPLIES REQUIRED**

Phillips screwdriver

Stubby Phillips screwdriver

Drill

3 mm, 6 mm, 8 mm, and 10 mm Drill bits

File

Eye protection (face shield, safety goggles, etc.)

Pushpin

High-quality paste wax

Utility knife

Masking tape

Felt-tip pen

*The following tool is available through the Honda Tool and Equipment Program. On the iN, click on: Service > Service Bay > Tool and Equipment Program, then enter the number under "Search". Or, call 888-424-6857.*

- Trim Tool Set (T/N SOJATP2014)
- Torque Screwdriver (T/N CDI401SM)

## INSTALLATION

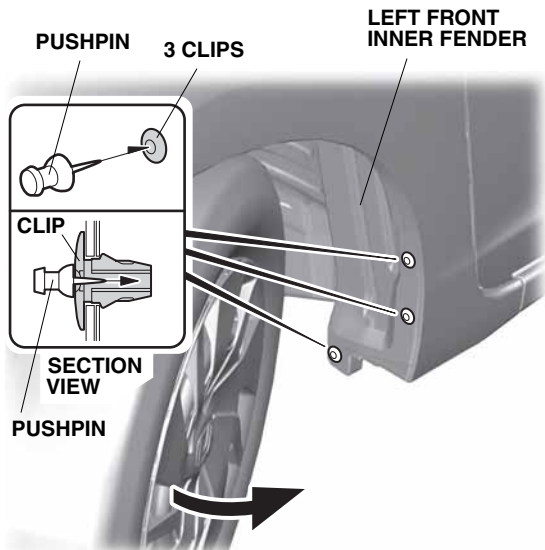
**Customer Information:** The information in this installation instruction is intended for use only by skilled technicians who have the proper tools, equipment, and training to correctly and safely add equipment to your vehicle. These procedures should not be attempted by “do-it-yourselfers.”

### NOTE:

- Be careful not to damage the paint finish.
- These instructions show the left splash guards being installed. The same procedure applies to installing the right splash guards.
- Clean and wax the areas to be covered with a high-quality paste wax.

### Installing the Front Splash Guards

1. Turn the steering wheel counterclockwise.



QC22601AK

2. Using a pushpin, pierce the centers of the three clips on the left front inner fender.

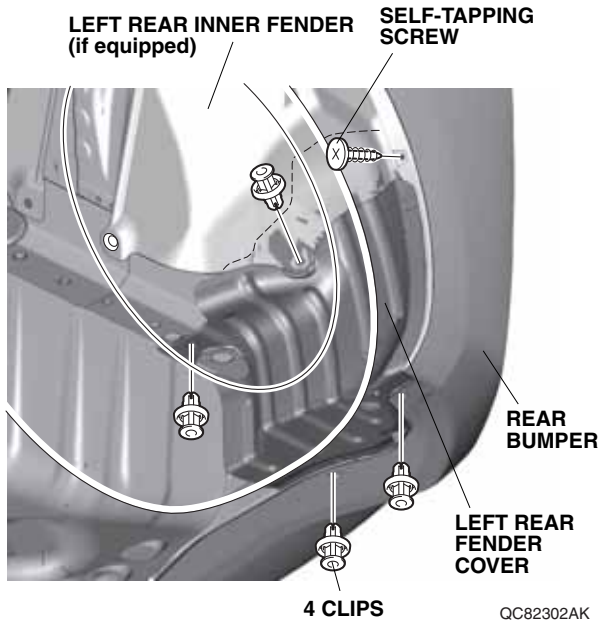
3. Secure the left front splash guard with three 5 x 25 mm self-tapping screws in the order shown. NOTE: Make sure there is no gap between the left front splash guard and the vehicle body. If there is a gap, loosen the self-tapping screws, hold the splash guard against the body, and retighten the screws.



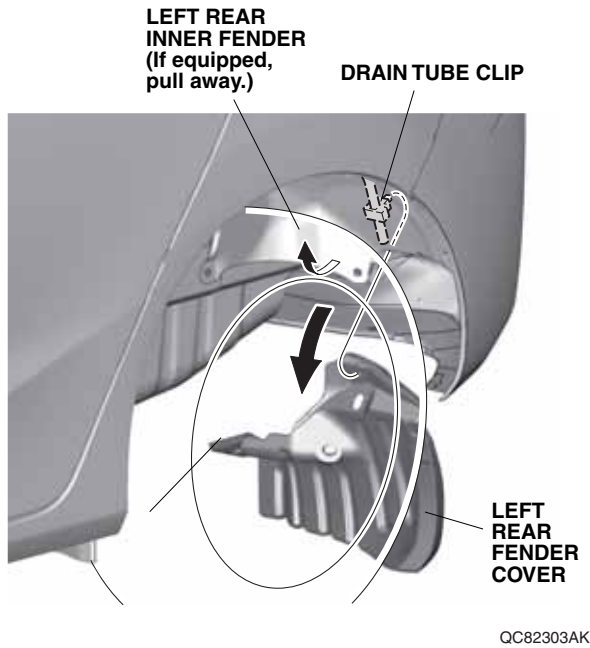
4. Turn the steering wheel clockwise, and repeat steps 2 and 3 to install the right front splash guard.

## Installing the Left Rear Splash Guard

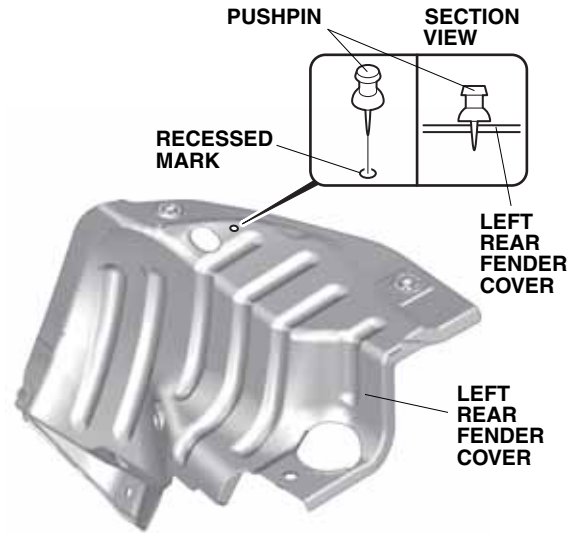
- Remove the four clips and one self-tapping screw.



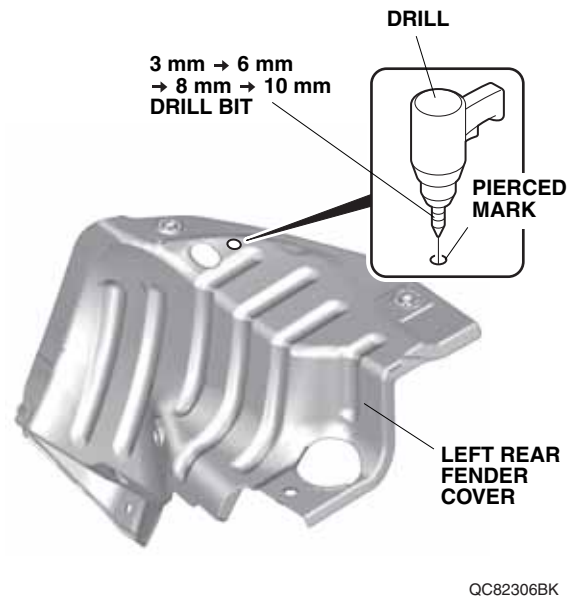
- Remove the left rear fender cover, and drain tube clip.



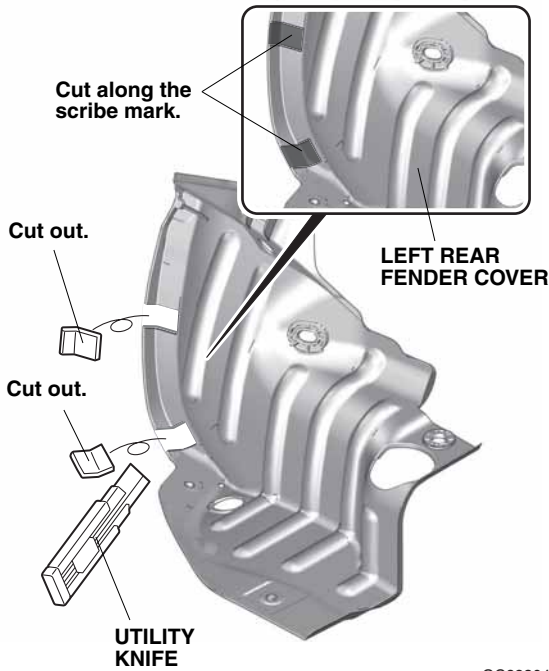
- Locate the recessed mark. Using a pushpin, pierce the left rear fender cover at the recessed mark.



- While wearing eye protection, drill the left rear fender cover at the pierced mark using a 3 mm drill bit first, then a 6 mm drill bit, 8 mm drill bit, and finish using a 10 mm drill bit.

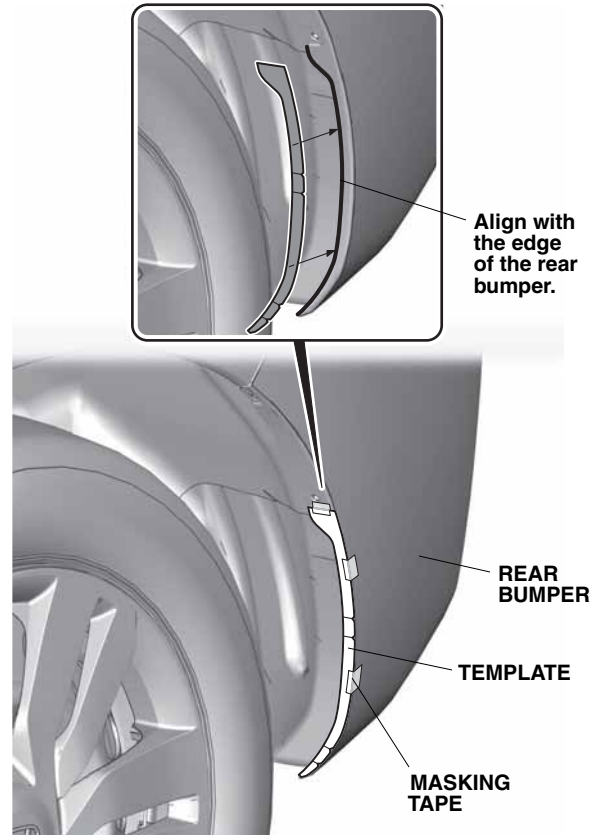


- Using a utility knife, cut out the left rear fender cover along the scribe marks.

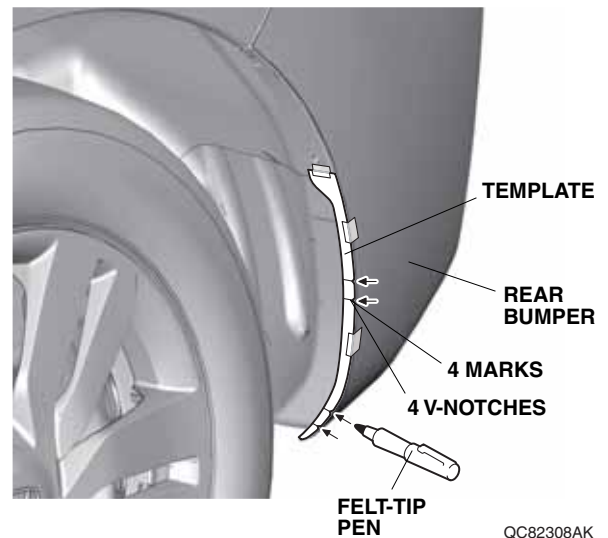


- Remove any burrs with a file.
- Reinstall the left rear fender cover.

- Align the template with the rear bumper as shown, and attach it with masking tape.

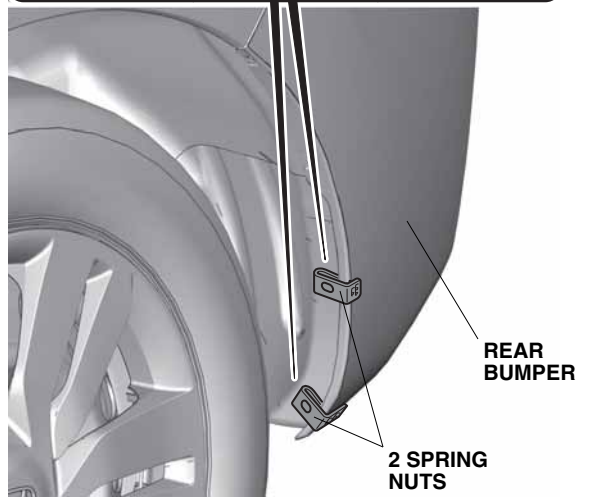
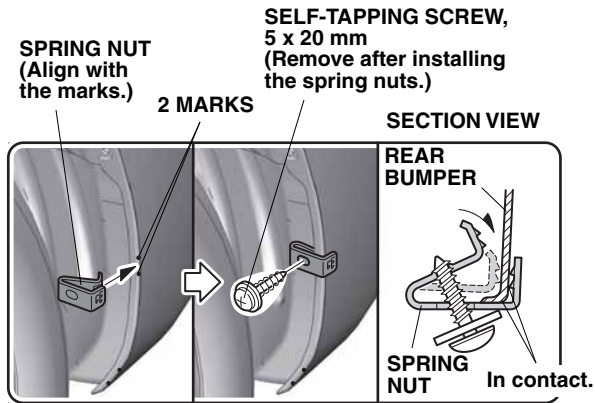


- Using a felt-tip pen, mark the rear bumper at the locations shown.



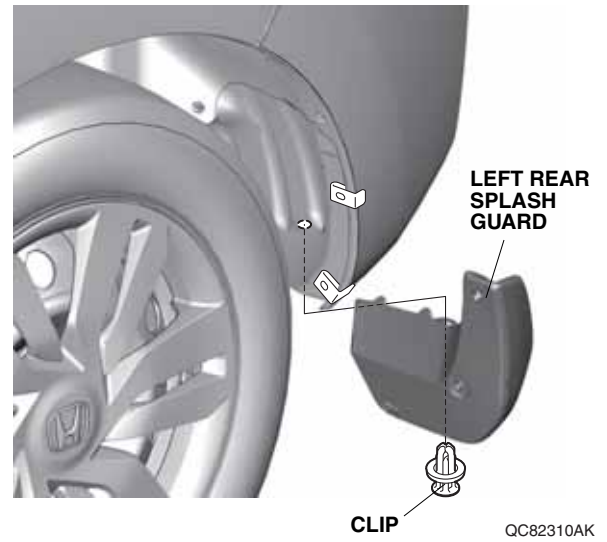
- Carefully remove template. Do not damage the template, it will be also used to mark the right rear bumper.

15. Align the spring nuts with the marks you made, and secure them with the 5 x 20 mm self-tapping screw. Torque the 5 x 20 mm self-tapping screw to 0.9 N-m (0.7 lbf-ft). Then remove the two 5 x 20 mm self-tapping screws.

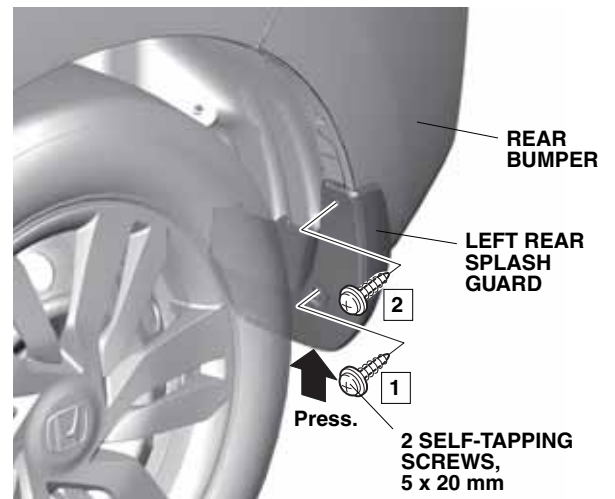


QC82309AK

16. Secure the left rear splash guard with one clip.



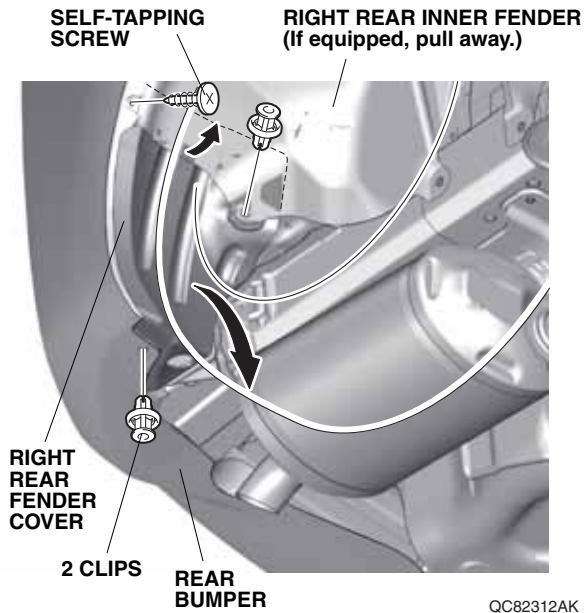
17. Secure the left rear splash guard the two 5 x 20 mm self-tapping screws in the order shown below. NOTE: Make sure there is no gap between the left rear splash guard and the bumper. If there is a gap, loosen the self-tapping screws, press and hold the splash guard against the bumper with the palm of your hand, and tighten the screws.



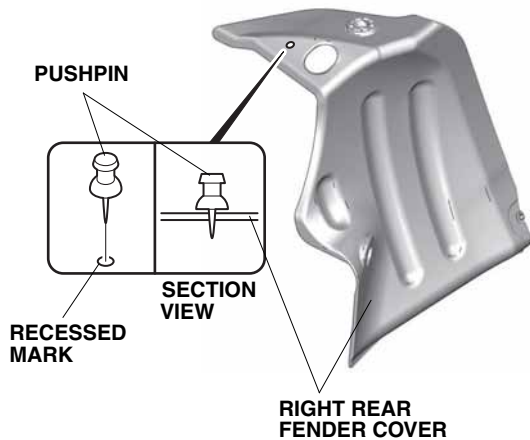
QC82311AK

## Installing the Right Rear Splash Guard

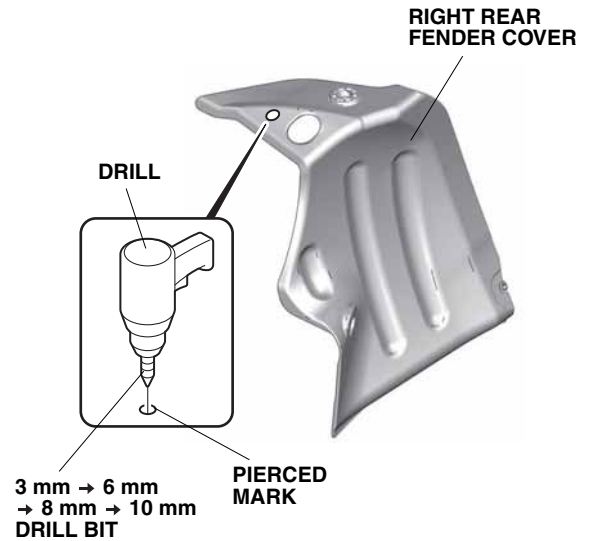
18. Remove the right rear fender cover.



19. Locate the recessed mark. Using a pushpin, pierce the right rear fender cover at the recessed mark.



20. While wearing eye protection, drill the right rear fender cover at the pierced mark using a 3 mm drill bit first, then a 6 mm drill bit, 8 mm drill bit, and finish using a 10 mm drill bit.



21. Repeat steps 9 through 17 to install the right rear splash guard.