



# INSTALLATION INSTRUCTIONS

Accessory  
**BICYCLE ATTACHMENT  
(FORK MOUNT)**  
P/N 08L07-E09-100A

Application  
**ALL APPLICABLE MODELS**

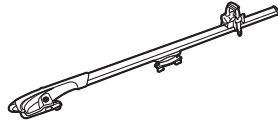
Publications No.  
**VERSION 1**

Issue Date  
**NOV 2017**

**Put this information in the glove box for future reference.**

## PARTS LIST

Bicycle attachment



Rear upper clamp



Rear lower clamp



Front knob



2 Thumbwheels



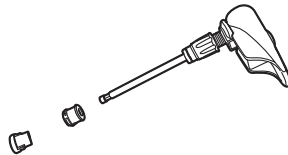
2 Bolt plates



End cap



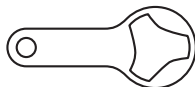
Skewer assembly



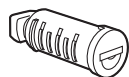
2 Bolts



Torque tool



Lock cylinder



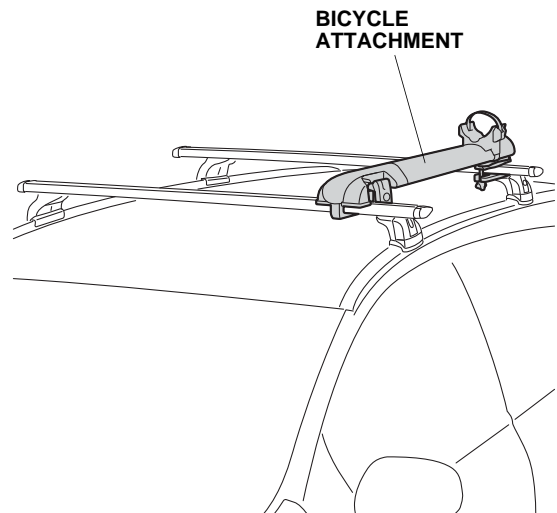
2 Keys



Change key



## Illustration of the Bicycle Attachment on the Vehicle



QG42601AC

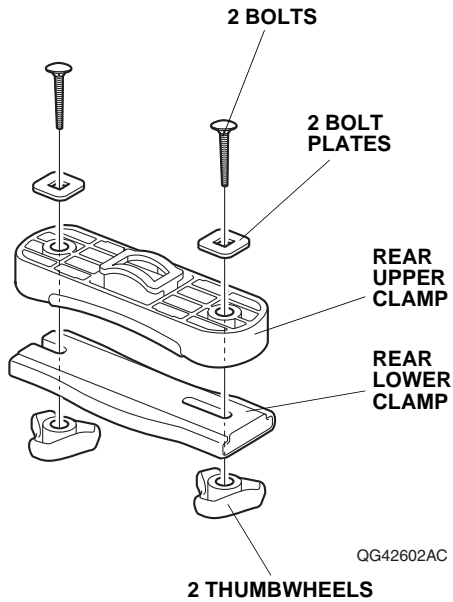
## INSTALLATION

### NOTE:

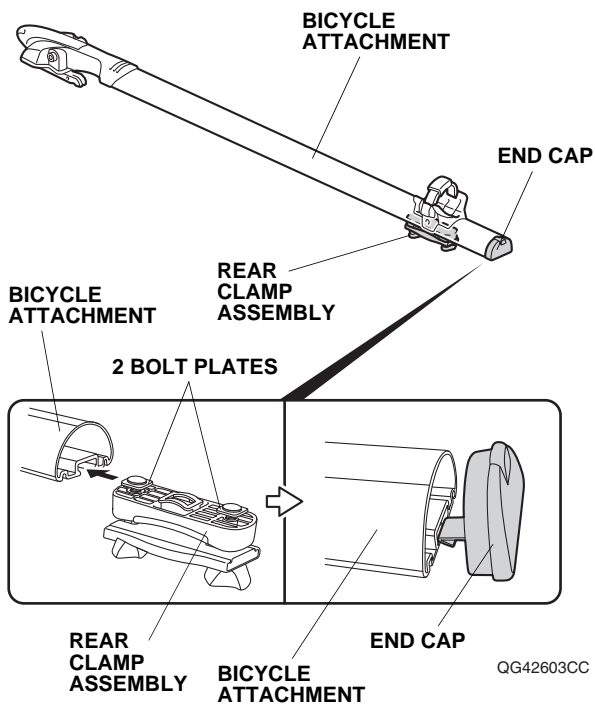
- This bicycle attachment kit is designed to be used exclusively with Genuine Honda Accessory Crossbars, which are sold separately.
- Do not use non-Honda accessories, carriers, or attachment sets with this bicycle attachment kit.
- Install the bicycle attachment after installing the crossbars on the roof.
- Be extremely careful not to damage the roof and other finished surfaces of the body when installing the bicycle attachment.

## Installing the Bicycle Attachment

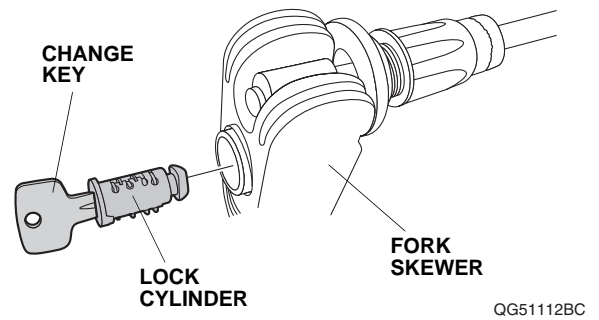
1. Assemble the rear clamp as shown.



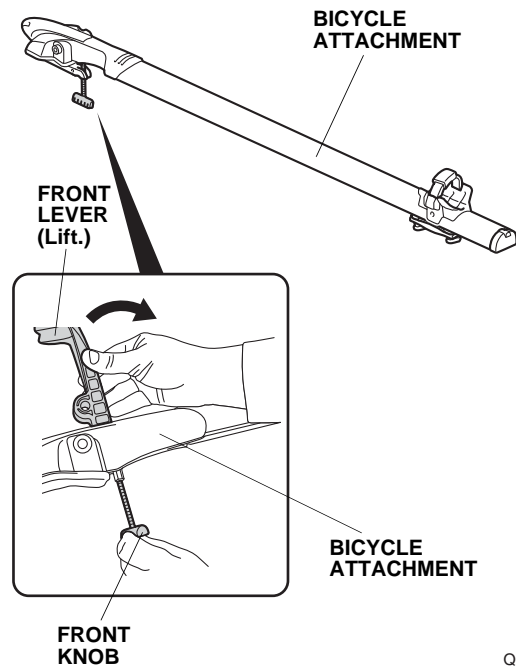
2. Remove the end cap, and slide the rear clamp assembly into the bicycle attachment as shown. Then, install the end cap.



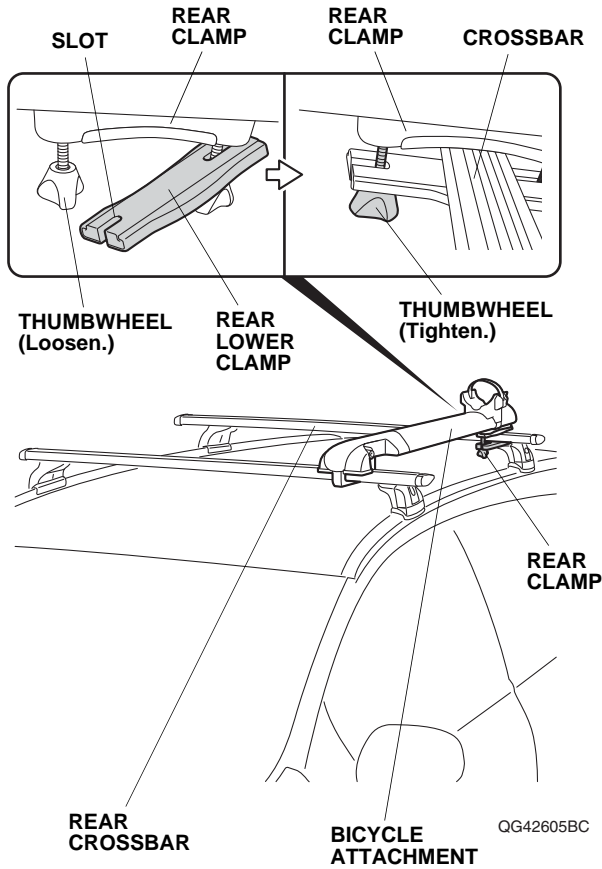
3. Use the change key to insert the lock cylinder into the fork skewer as shown.



4. Lift the front lever, and thread the front knob into the lever.

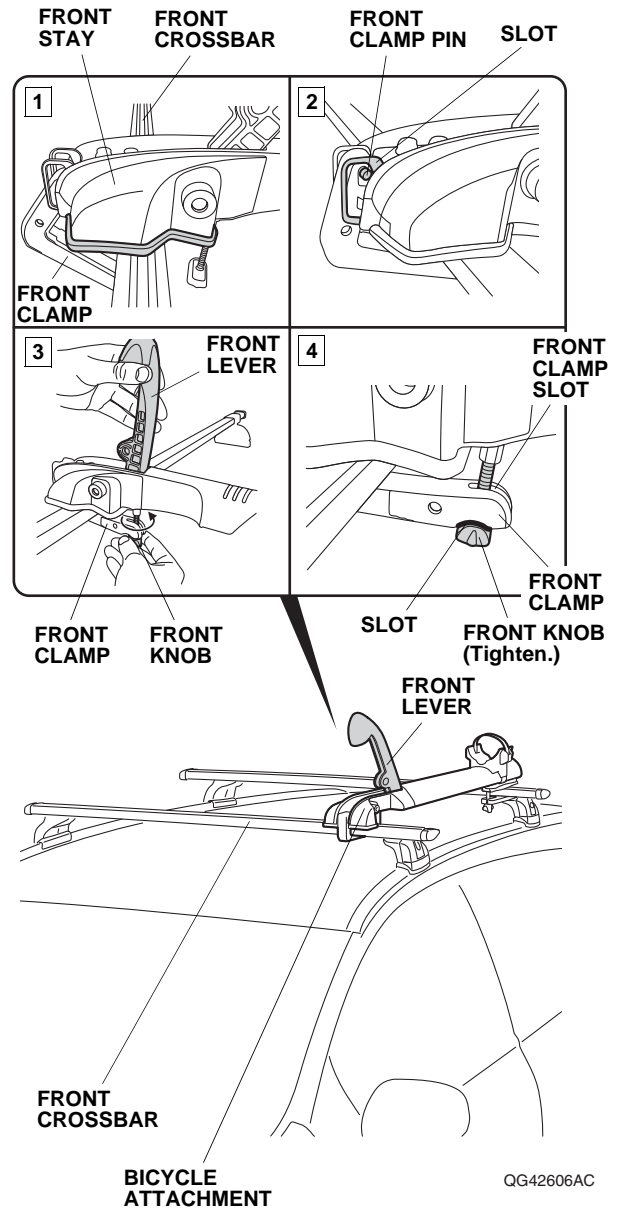


- Loosen the thumbwheel on the slot side of the rear lower clamp, and let the rear lower clamp hang loose.



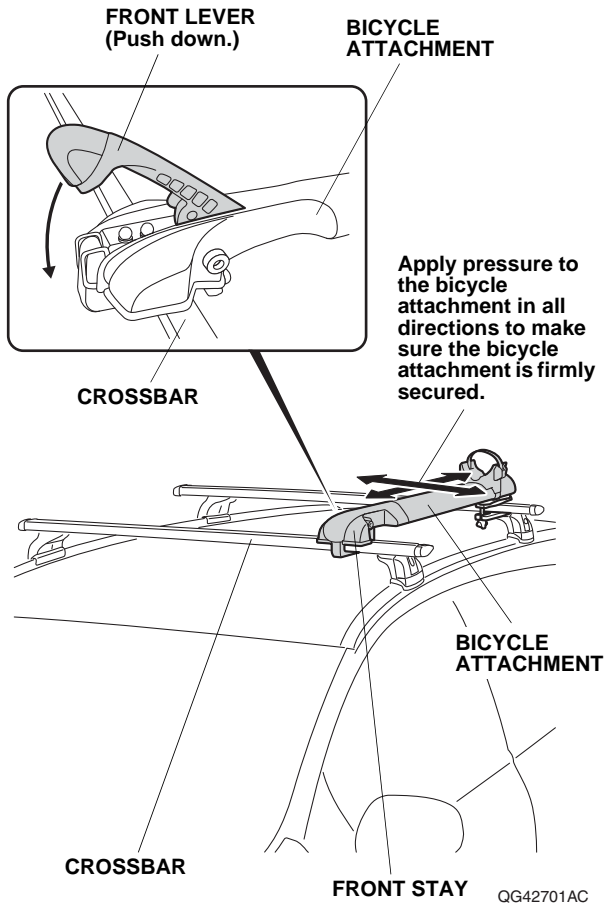
- Place the bicycle attachment on the crossbars. Swing the rear lower clamp under the rear crossbar, and secure it as shown. Use the torque tool to finish tightening the thumbwheel.

- Loop the front clamp around and underneath the front crossbar.



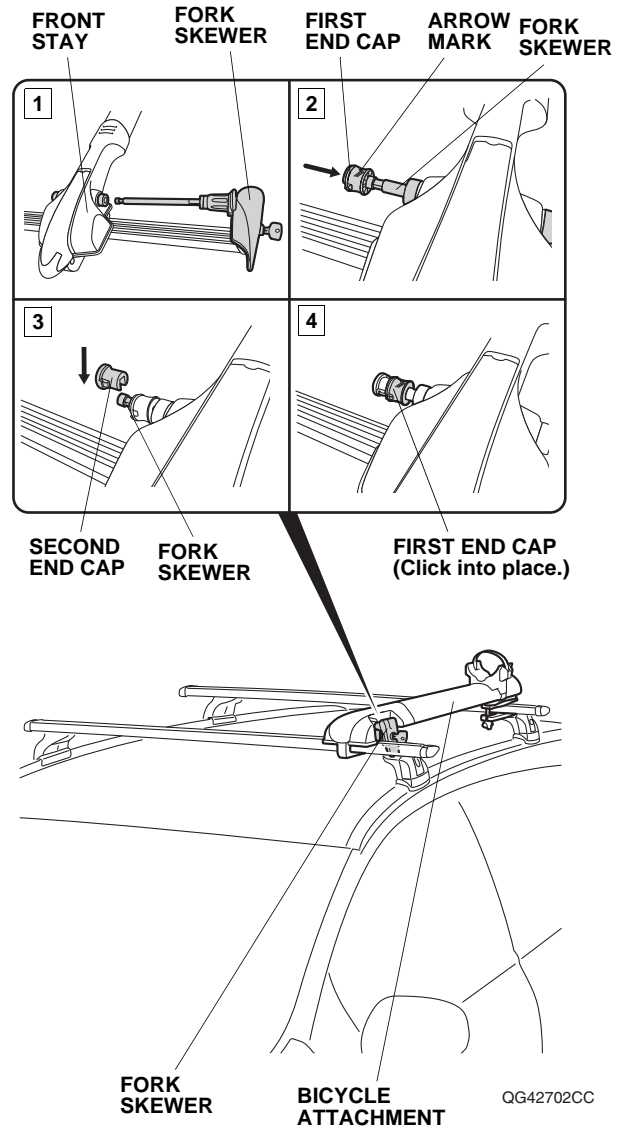
- Place the front clamp pin into the slot as shown.
- While holding the front lever up, swing the front knob into the slot of the front clamp and tighten the front knob.

- Push the front lever all the way down. If it is too firm and you cannot push the front lever all the way down, loosen the front knob and try again. If it is still too difficult to push down, change the front lever pin location and adjust the front knob until you can push the front lever all the way down.



- Grab the bicycle attachment, and try to move it side to side and front to back. If it moves, tighten the front stay and rear clamp until the bicycle attachment does not move.

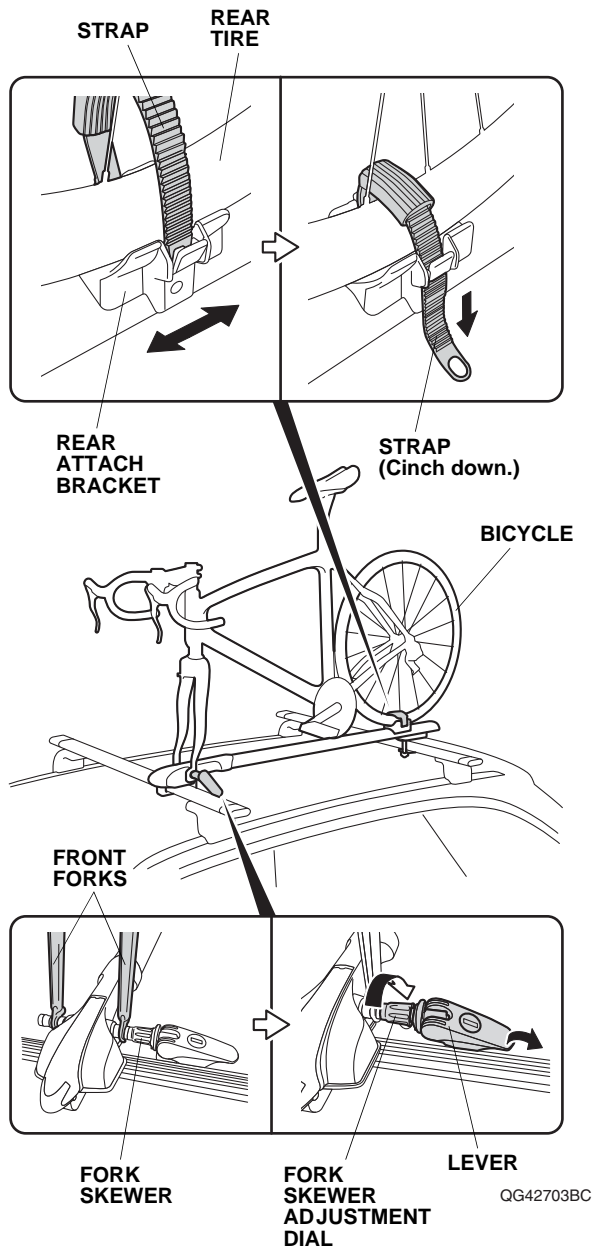
- Push the fork skewer through the front stay.



- Horizontally slide the first end cap onto the fork skewer.
- Vertically slide the second end cap onto the fork skewer.
- Push the first end cap away from the front stay until it clicks into place.  
NOTE: To remove the fork skewer, remove the end caps and skewer in the reverse order shown.

## How to Load a Bicycle on the Bicycle Attachment

16. Position the rear attach bracket underneath the rear tire. Loop the strap up and over the rear tire, and cinch it down.



17. Secure the bicycle front forks with the fork skewer as shown.
18. Turn the fork skewer adjustment dial clockwise until the lever closes firmly against the front forks.

## USE AND CARE

- This bicycle attachment is rated to 37.5 lbs (17 kg). However, the weight of the bicycle and the bicycle attachment cannot exceed the crossbar load rating.
- The bicycle intended for attachment must come equipped with a quick release front skewer.
- Measure the dimensions of your bicycle's fork dropout. This bicycle attachment is not compatible with fork dropouts less than 4 mm (0.16 in.) or greater than 10 mm (0.39 in.). Dropouts must be 100 mm (3.94 in.) apart.
- Due to wind resistance, it is not recommended to carry disk wheels or wheels with covers.
- Remove the bicycle attachment when not in use.
- Do not go through an automatic car wash with the bicycle attachment installed.
- Be extremely careful not to damage the roof and other finished surfaces of the body when installing the bicycle attachment or loading a bicycle.

## PRECAUTIONS

- Avoid sudden starts or stops with the attachment on the vehicle. It may cause the bolts and other fasteners to loosen.
- Obey local laws and regulations.
- Before driving, make sure that the bicycle attachment is firmly attached to the crossbars.
- This product is designed to be used exclusively on Honda vehicles. Honda is not responsible if the product is used for anything other than its intended purpose.